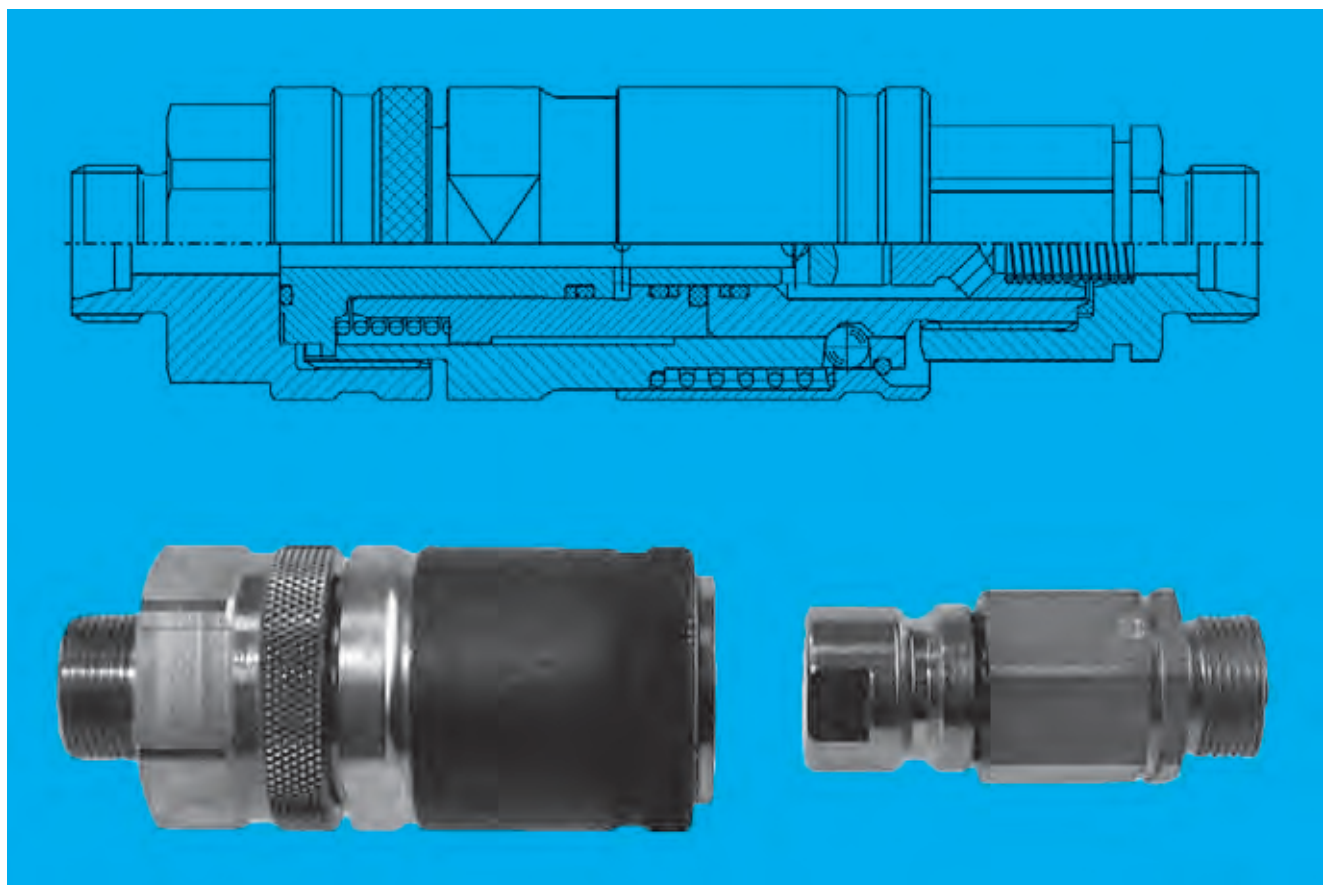


Nom. bore	Type	Max. static working pressure [bar/psi] steel	C _v value both sides self sealing	Page
6	HC-G06	650/9500	0.5	78
8	HC-G08	600/8700	1.0	78
12	HC-G12	600/8700	2.3	78
16	HC-G16	600/8700	3.4	78
20	HC-G20	600/8700	5.7	78
performance diagrams				79

Please note: In case of standardised end connections, please take the max. allowable working pressure of the end connection into account when determining the working pressures.

Features: Leak-free disconnection and connection without air inclusion thanks to clean break valves
 Splatter-free operation
 Locking mechanism (one-hand operation)
 For self-lubricating substances

Options: Z12 = Self sealing coupling and self sealing adaptor with dirt protection
 Z11 = Self sealing coupling and self sealing adaptor with pressure relief (starting from DN 12)
 Z13 = Self sealing coupling and self sealing adaptor with dirt protection and pressure relief (starting from DN 12)



78 Series HC Type HC-G06 - HC-G20 Nom. Bore 6-20 mm

characteristic features:

- automatic lock (one hand operation)
- disconnection without loss of medium
- connection without air inclusion

materials:

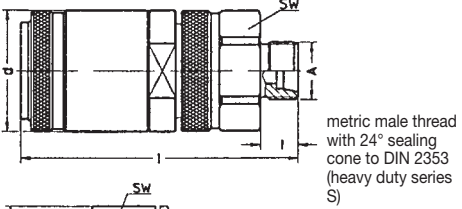
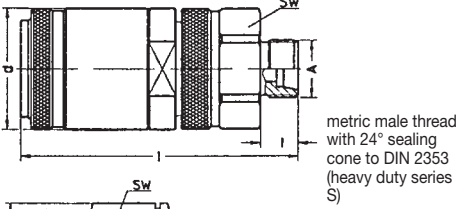
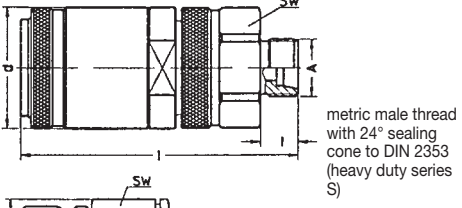
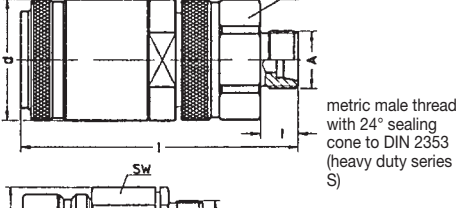
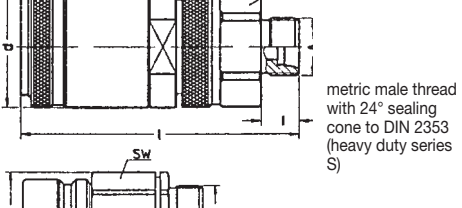
- standard:**
- steel, zinc plated, yellow chromated
 - locking sleeve, black phosphatized

seal qualities:

- special seals suitable for hydraulic fluids on mineral oil basis, HFA and HFB liquids

Please note the technical data on pages and the 2 - 7, 79 max. working pressures on page 77

Availability: ● Short ○ Medium ○ Long

	Part No.	Connec- tion A	steel zinc plated	series	pipe OD	d	SW	l	t	n	weight [g]
 <p>metric male thread with 24° sealing cone to DIN 2353 (heavy duty series S)</p>	HC-G06-0-S1018-AABA-Z10	M 18 x 1,5	●	S	10	34	27	98,8	12		455
	HC-G06-2-S1018-AABB-Z10	M 18 x 1,5	●	S	10	30,1	27	69	12	23,4	177
 <p>metric male thread with 24° sealing cone to DIN 2353 (heavy duty series S)</p>	HC-G08-0-S1220-AABA-Z10	M 20 x 1,5	●	S	12	42,4	32	104,8	12		660
	HC-G08-2-S1220-AABB-Z10	M 20 x 1,5	●	S	12	30,1	27	69,2	12	26,8	220
 <p>metric male thread with 24° sealing cone to DIN 2353 (heavy duty series S)</p>	HC-G12-0-S1624-AABB-Z10	M 24 x 1,5	●	S	16	47,2	41	102,6	14		818
	HC-G12-2-S1624-AABB-Z10	M 24 x 1,5	●	S	16	33,5	30	74,2	14	28,5	251
 <p>metric male thread with 24° sealing cone to DIN 2353 (heavy duty series S)</p>	HC-G16-0-S2030-AABA-Z10	M 30 x 2	●	S	20	57,8	50	112,4	16		1406
	HC-G16-2-S2030-AABB-Z10	M 30 x 2	●	S	20	45,6	41	80,4	16	31	487
 <p>metric male thread with 24° sealing cone to DIN 2353 (heavy duty series S)</p>	HC-G20-0-S2536-AABA-Z10	M 36 x 2	●	S	25	63,2	50	145,6	18		2005
	HC-G20-2-S2536-AABB-Z10	M 36 x 2	●	S	25	51,2	46	111,5	18	36	909