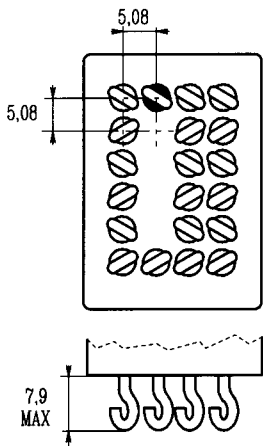


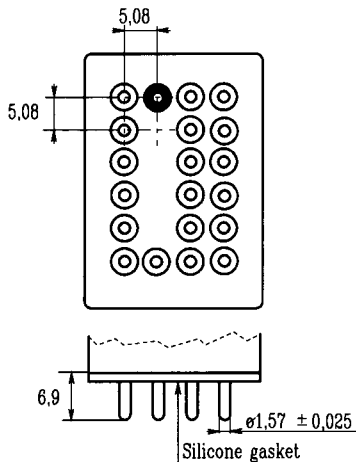
TERMINATION STYLES

DC Version

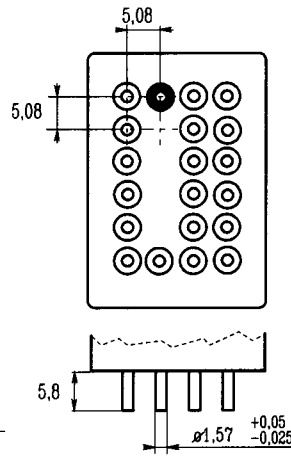
AC version  
50-400 Hz



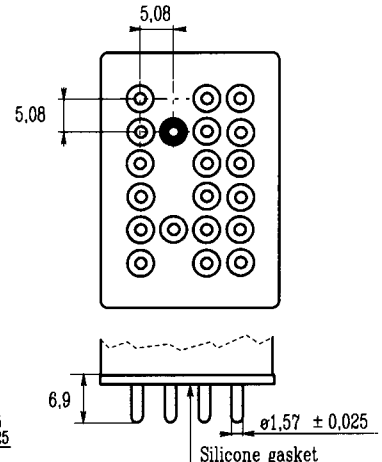
Type A  
Tinned solder hooks



Type B  
Gold plated pins  
for sockets  
Type E \*



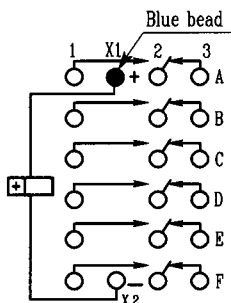
Type L \*  
Solderable tinned pins  
for PCB mounting



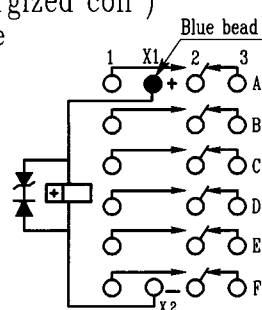
Type C  
Gold plated pins  
for sockets  
Type H \*  
Solderable tinned pins  
for PCB mounting

\* Type E, L and H  $+0.05$   
diameter  $1.57 -0.025$   
delivered without silicone gasket use 2 mounting pads 564 2204 see page 84

CONNECTION DIAGRAM ( non energized coil )  
Viewed from terminals side



Series ETP 6

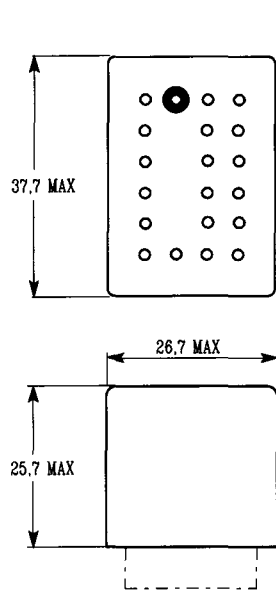


Series ETP S 6  
with internal voltage  
suppressor

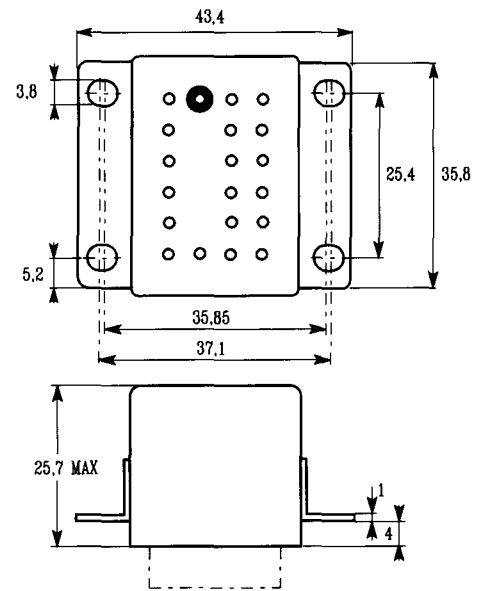
COIL CHARACTERISTICS

COIL CODE	DC									AC 50-400 Hz	
	K	A	B	C	D	E	F	H	L	M	P
Nominal coil voltage	6	9	12	18	24	36	48	72	110	110	220
Max pull in voltage at 85° C	4	6	8	12	16	25	33,5	48	76	76	152
Min hold in voltage at 85° C	3,5	5,2	7	10,5	14	21	28,5	40,5	64	64	128
Min drop out voltage at -40° C	0,5	0,7	1	1,5	2	3	4	6	10,5	10,5	21
Coil resistance ( ohms $\pm 8\%$ at 25° C )	10	22	40	90	180	350	617	1400	3200	-	-
Max exported spike	44	44	44	44	44	122	122	203	203		

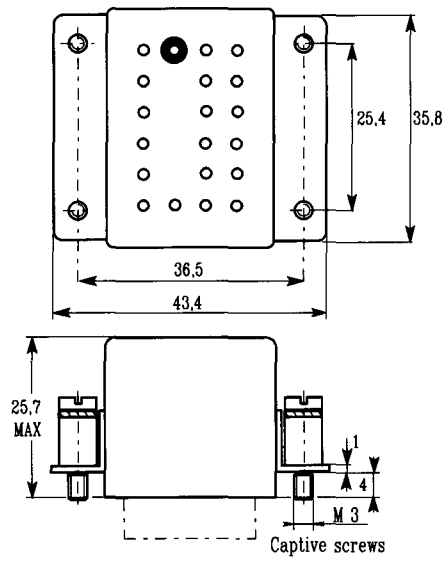
MOUNTING STYLES



Housing 1

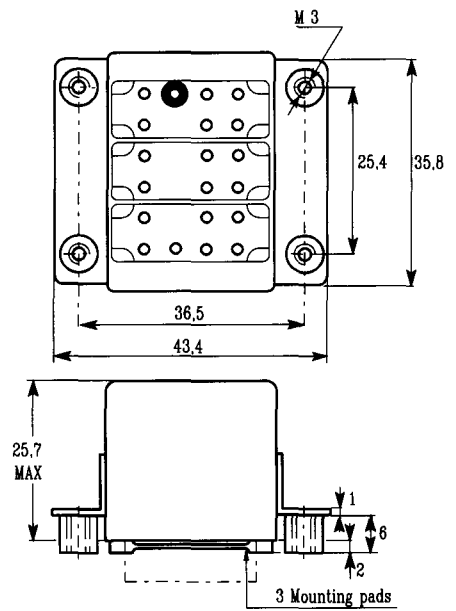


Housing 2



Housing 6

Coupling torque 0,45 m.N

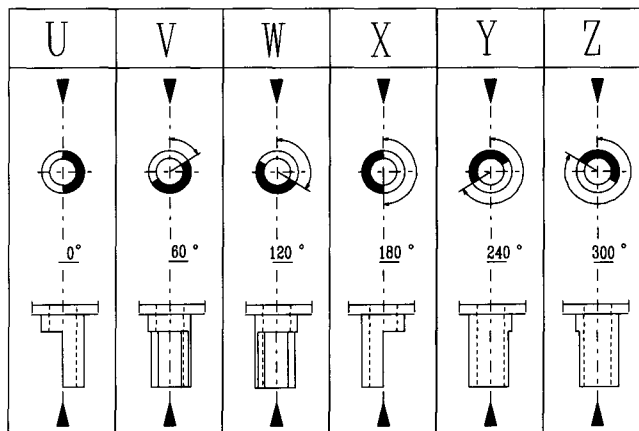
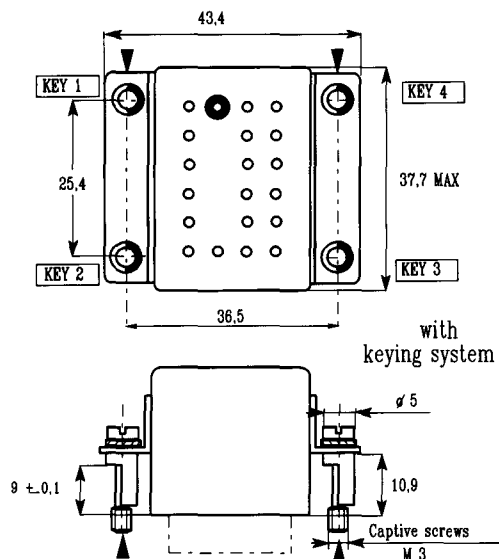


Housing 9

POLARIZED RELAYS ETP 6  
6 PDT

SERIES  
ETP 6

MOUNTING STYLES



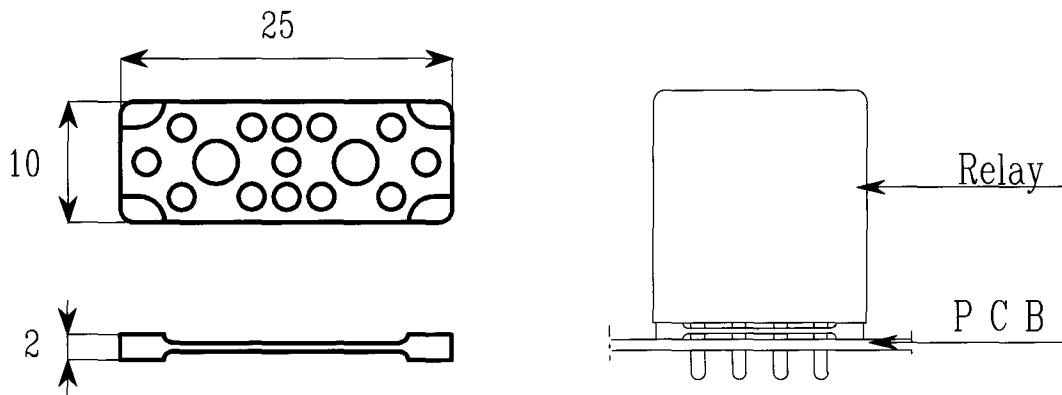
Housing 11 Coupling torque 0,45 m.N

Coil	Reference	key 1 key 2 key 3 key 4				Reference	key 1 key 2 key 3 key 4			
		key 1	key 2	key 3	key 4		key 1	key 2	key 3	key 4
6 Vdc	ETP 6 1K11 B	V	Z	V	U	ETP S 6 1K11 B	V	Z	X	U
9 Vdc	ETP 6 1A11 B	W	Z	V	U	ETP S 6 1A11 B	W	Z	X	U
12 Vdc	ETP 6 1B11 B	X	Z	V	U	ETP S 6 1B11 B	X	Z	X	U
18 Vdc	ETP 6 1C11 B	Z	Z	U	U	ETP S 6 1C11 B	Z	Z	W	U
24 Vdc	ETP 6 1D11 B	U	Z	U	U	ETP S 6 1D11 B	U	Z	W	U
36 Vdc	ETP 6 1E11 B	Y	Z	U	U	ETP S 6 1E11 B	Y	Z	W	U
48 Vdc	ETP 6 1F11 B	V	Z	U	U	ETP S 6 1F11 B	V	Z	W	U
72 Vdc	ETP 6 1H11 B	W	Z	U	U	ETP S 6 1H11 B	W	Z	W	U
110 Vdc	ETP 6 1L11 B	X	Z	U	U	ETP S 6 1L11 B	X	Z	W	U
110 Vac	ETP 6 1M11 C	U	Z	V	U					
220 Vac	ETP 6 1P11 C	Y	Z	V	U					



MOUNTING PAD  
FOR PRINTED CIRCUIT BOARD

MOUNTING PAD  
564 2204



This mounting pad is designed to assist cleaning and soldering relays mounted on PCB.

For use with terminal styles E , H, J or K

- 1 mounting pad for 2 pole relays
- 2 mounting pads for 4 pole relays
- 3 mounting pads for 6 pole relays

Temperature rating :           continuous  $-65^{\circ}\text{C}$  to  $+125^{\circ}\text{C}$

  short term  $270^{\circ}\text{C}$  during 30 s