

SIEMENS

Product data sheet

3SB3610-2DA11

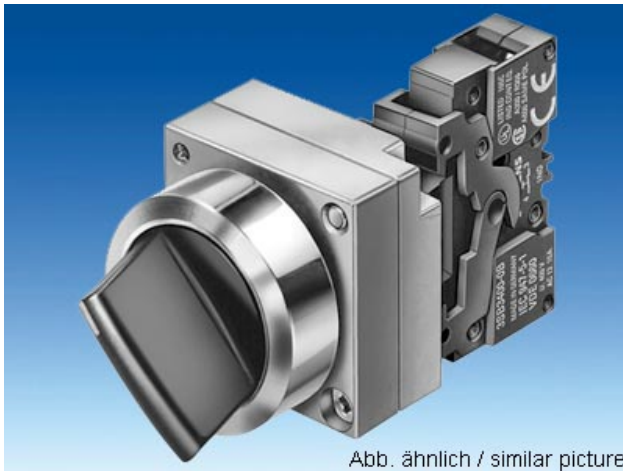


Abb. ähnlich / similar picture

COMPLETE UNIT , ROUND KNOB ,
I-O-II.MAINTAINED BLACK , 1NO , 1NO,
METAL

Actuator:

Design of the operating mechanism selector switch standard version

Manner of function / of the activation element

- arresting lock Yes
- tentative No

Button:

Color / of the button black

Front ring:

Material / of the front ring metal

Color / of the front ring silver

Enclosure:

Shape / of the housing front round

General technical details:

Design of the product selector switch standard version

Type of voltage

- of the operating voltage AC/DC

Operating voltage / rated value

- minimum 5 V
- maximum 400 V

Number of NC contacts	0
Number of NO contacts	2
Number of change-over switches	0
Number of switching positions	3
Mechanical design:	
Design of the electrical connection	screw-type terminals
Product extension / optional / Fluorescent materials	No
Mounting diameter	22 mm
Ambient conditions:	
Protection class IP	IP67
last change:	10/31/2006

Technical Assistance:	Telephone:	+49 (0) 911-895-5900 (8° - 17° CET)
	Fax:	+49 (0) 911-895-5907
	E-Mail:	technical-assistance@siemens.com
	Internet:	www.siemens.de/lowvoltage/technical-assistance