



DIN EN 61508
SIL2



DIN 4754



RoHS II
COMPLIANT ✓



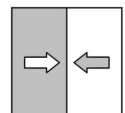
Datasheet

DS21

Differential pressure measuring and switching device

Flow guard in heat transfer oil systems in compliance with DIN 4754-2 and hot water systems according to VdTÜV Information sheet "Flow 100"

09005674 DB_EN_DS21 ST4-H 11/19



1 Product and functional description

1.1 Use as intended

The unit is exclusively designed for the purpose defined by the manufacturer in the data sheet or operating instructions.

Differential pressure measuring and switching device

The DS21 is a measuring and switch unit for measuring differential pressure under difficult measuring conditions such as: pressure surges, vibrations, frequent switching and high demands on the switching output. Please contact the manufacturer before using this unit with dirty or aggressive media because the unit needs to be adapted in terms of the parts that come into contact with the media.

Flow assurance

The units in this series are used as flow guards in heat transfer oil systems in compliance with DIN 4754-2 and hot water systems in compliance with VdTÜV information sheet 'Flow 100'. The flow guards comprise a differential pressure transducer, e.g. a measuring orifice, the differential pressure measuring and switch unit and shut-off fittings. The respective installation instructions must be observed for this application case. All units of the series DS21 satisfy these requirements.

NOTICE

The type tests in compliance with DIN 4754-2 and VdTÜV information sheet "Flow 100" only apply in conjunction with a differential pressure transducer, not for a differential pressure measuring and switching device alone.

The successful type test of the series DS21 was confirmed by means of the following test symbols:

- for flow guards in compliance with DIN 4754-2 :
DIN CERTCO registration number 10S001
- according to VdTÜV Information sheet "Flow 100" :
Part code TÜV . SW/SB . 15 – 020

1.2 Equipment versions

The DS21 can be supplied with the following different pressure chambers:

- Aluminium
- Stainless steel 1.4305

The aluminium pressure chambers can also be supplied with a HART COAT® coating. The following shows the various unit versions. On the left-hand side are casings with hoods (IP 55) and on the right-hand side casings with bayonet rings (IP 65).

NOTICE

Installation of front panel

Please note that the switch points of devices with bayonet rings need to be set before mounting the front control panel. When installed, the unit can no longer be opened.

Please see the order code [► 13] for the process connection options.

1.2.1 Pressure chamber in aluminium

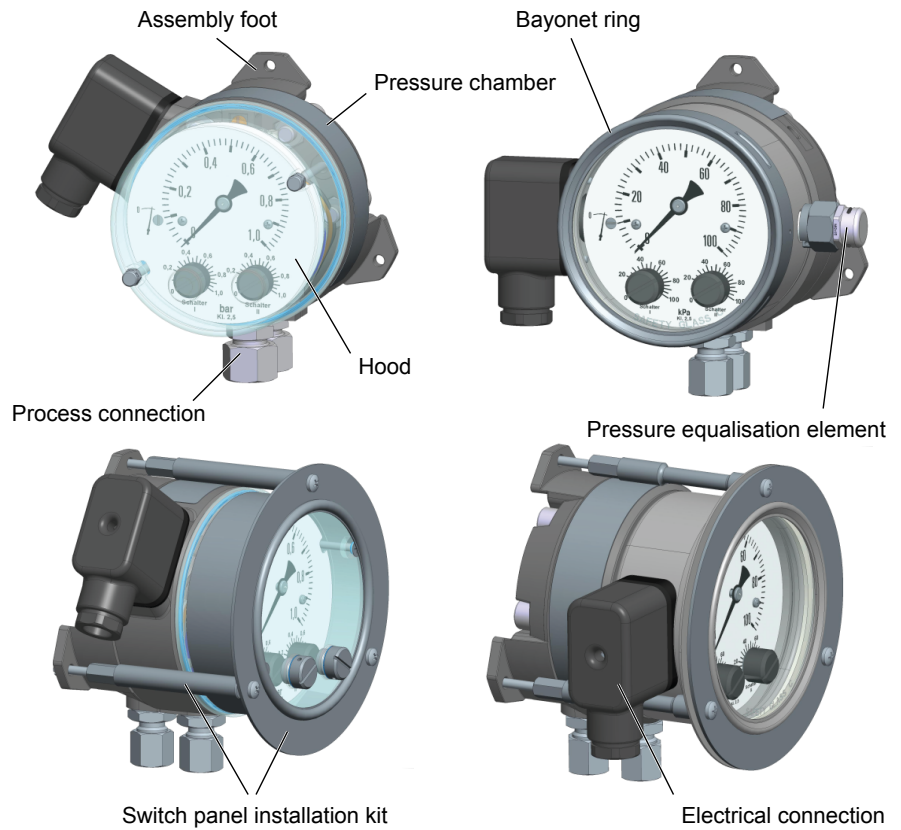


Fig. 1: DS21_Pressure chamber in aluminium [Standard]

1.2.2 Pressure chamber in stainless steel

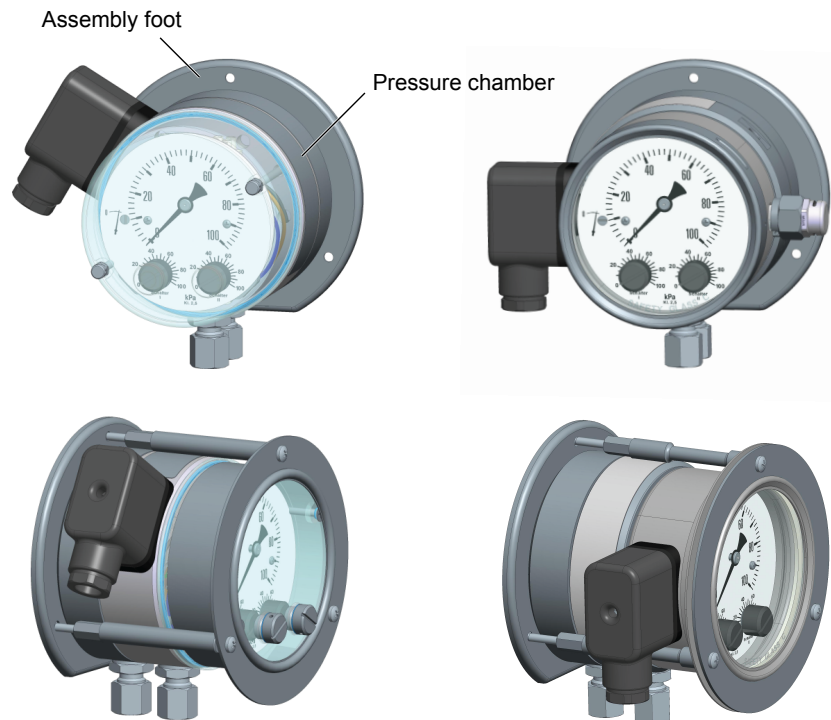
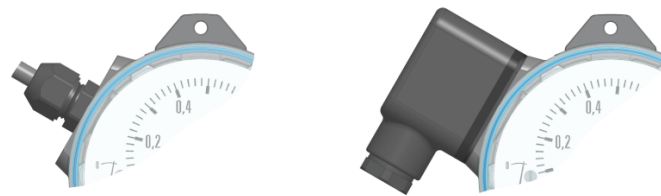


Fig. 2: DS21_Pressure chamber in stainless steel [Standard]

1.2.3 Electro connection variants

All pressure chamber types are available optionally with a permanently wired number cable, a cable connection socket or a cable connector. The cable connector has the same dimensions as the cable socket.

DNV-GL models are an exception. These are only supplied with a cable socket including a 3 m long connection cable. The associated wiring diagrams are shown on the type plate and in the section 'Installation and assembly'.



Numbered cables

Cable connection socket

Fig. 3: DS21_EL-connection variants [Standard]

1.3 Function diagram

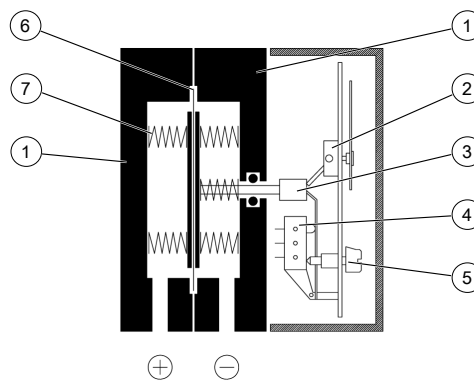


Fig. 4: DS21 Function diagram [Standard]

1	Pressure chamber	2	Motion train
3	Tappet	4	Micro-switch
5	Switch point setting	6	Measuring diaphragm
7	Measuring springs		

1.4 Design and mode of operation

The basis for this measurement and switch unit is a sturdy non-sensitive diaphragm measuring unit that is suitable for measuring differential pressure, and over and under-pressure. The unit uses the same measuring principle for all three measuring applications.

In the idle position, the spring forces are equalised on both sides of the measuring diaphragm. The pressure that is to be measured or the differential pressure creates a one-sided force on the measuring diaphragm that moves the diaphragm system against the measuring range springs until the spring forces are equalised. In the case of overload, the measuring diaphragm is supported by metallic contact surfaces.

A central tappet transfers the movement of the diaphragm system onto the display mechanism and, at the same time, onto the actuation elements of the micro-switches. The switch points are set via the setting screws and referenc value scale.

2 Technical data

Please also observe the order code here.

2.1 Input variables

Measuring variable

Differential, over and under-pressure for gaseous and fluid media.

Measurement range

Measurement range	Allowed static operating pressure
0 ... 250 mbar	6 bar
0 ... 400 mbar	6 bar
0 ... 0.6 bar	10 bar
0 ... 1 bar	16 bar
0...1.6 bar	16 bar
0...2.5 bar	16 bar
0 ... 4 bar	16 bar
0 ... 6 bar	16 bar

Rated pressure of the measuring system

25 bar

Max. pressure load

Over-pressure-proof on one side up to rated pressure of the measuring system, (+) and (-) sides, under-pressure-proof

2.2 Output parameters

Switching outputs

1 or 2 micro-switches with 1-pin changeover contact.

Switch point setting

After opening the casing using the setting screw and reference value scale. Smallest settable value approx. 5% of the end value of the measuring range.

Reproducibility

The reproducibility of the switch-point setting corresponds to the measuring precision.

Switch hysteresis

approx. 2.5% of the upper range value

Load data/contact

		AC	DC
Max. switching voltage	U_{max}	250V	30V
Max. switching current	I_{max}	5A	0.4A
max. switching output	P_{max}	250 VA	10 W

2.3 Measured Value Display

Anzeige

Indicator with measurement scale

Measurement accuracy

$\pm 2.5\%$ of the upper range value

2.4 Electrical connection

- Cable socket
screw terminal up to 1.5 mm² with wire protection
Contact material Ms gold-flashed
Cable screw connection M20 x 1.5
- Cable connector
screw terminal up to 1.5 mm² with wire protection
Contact material Ms nickel-plated
Cable screw connection M20 x 1.5

- Number cable
4 x 0.75 mm² YSLY-JZ
strand end with clip, wire ID 1,2,3, gn/ge

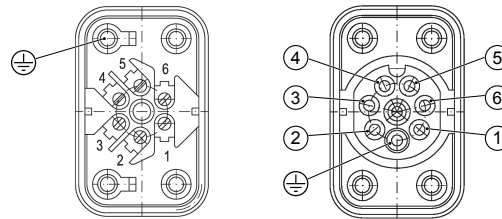


Fig. 5: Cable socket / cable plug

No	Contact	Switch	
1	Make contact	NO	
2	Break contact	NC	
3	Joint	COM	
4	Joint	COM	
5	Make contact	NO	
6	Break contact	NC	
⊕	Ground connection		

GL version

In models with one switch, a cable (**0.6/1KV 4Gx1.5**) with the following color code is connected:

Ter- minal	Wire ID
1	grey
2	brown
3	black
⊕	green/yellow

In models with two switches, a cable (**0.6/1KV 7Gx1.5**) with numbers for identifying the wires must be connected. The numbers of the cable correspond to the terminal numbers of the cable socket.

2.5 Application conditions

Ambient conditions

Allowed ambient temperatures	-10 °C ... +70 °C
Allowed temperature of the medium	-10 °C ... +85 °C ^{*)}
Enclosure protection class (depending on model)	IP 55 or IP 65 in compliance with DIN EN 60529

^{*)} The temperature in the unit may not exceed +70 °C.

EC Declaration of conformity

Low-Voltage Directive	2014/35/EU
Pressurised Vessel Directive	2014/68/EU
RoHS Directive	2011/65/EU

Certificates	Type testing (Module B)	No. 07 202 1081 Z 9142/13/H
	Quality assurance system (Module D)	No. 07/202/1081 /Z/0095/18/D/001
	EAC Declaration	No. TC RU д-DE.AB71.B.09656
	DIN CERTCO	DIN 4754-2:2015-03 No. 10S001
	VdTÜV	Data sheet flow 100 TÜV SW/SB 15-020
	DNV GL	No. TAA00002BW
	SIL 2 ^{**})	No. 44 799 13759902

^{**}) Only for devices with the order code for SIL (optional information).

2.6 Construction design

Process connection	Inner thread G $\frac{1}{4}$ Cutting ring screw connection in steel for 6, 8, 10, 12 mm pipe Cutting ring screw connection in stainless steel 1.4571 for 6, 8, 10, 12 mm pipe
Measuring system	Pressure spring measuring diaphragm system
Weight	Pressure chamber in aluminium: approx. 1.2 kg Pressure chamber in CrNi steel: approx. 3.5 kg

2.6.1 Materials

Pressure chamber	Aluminium Gk-AISi10Mg, painted black Aluminium Gk-AISi10MG with HART-COAT [®] Surface protection CrNi steel 1.4305
Measuring diaphragm	Fabric-reinforced VITON [®]
Gaskets	VITON [®]
Inner parts in contact with the medium	CrNi-steel 1.4310, 1.4305
Hood	Polycarbonate (PC) Makrolon [®]
Bayonet ring	CrNi-Steel 1.4305
Front pane	Safety laminated glass

2.6.2 Assembly

Wall mounting
Mounting the control panel

2.7 Dimensional drawings

(All dimensions in mm unless otherwise stated)

2.7.1 Pressure chamber in aluminium

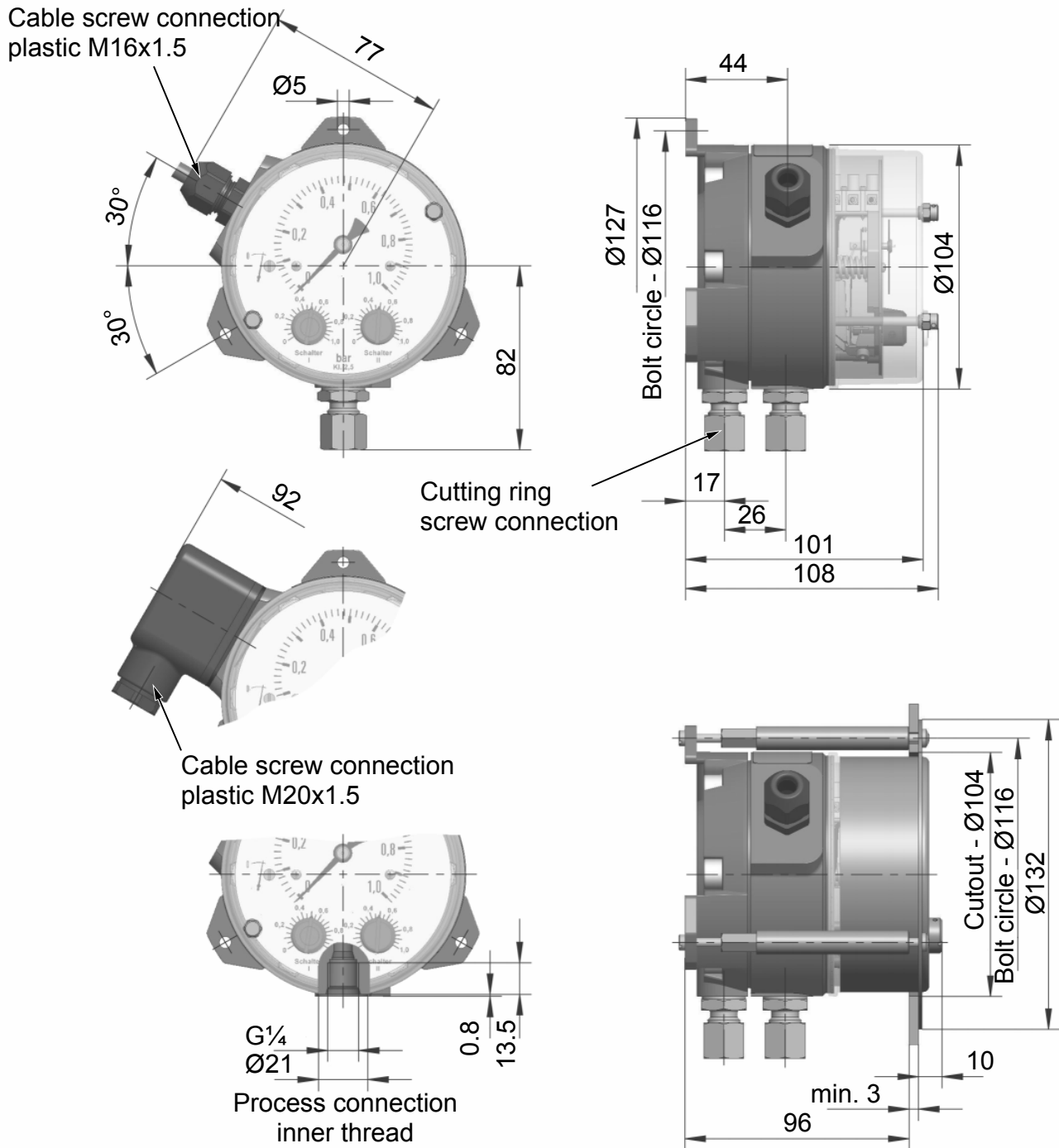


Fig. 6: Pressure chamber in aluminium (IP55)

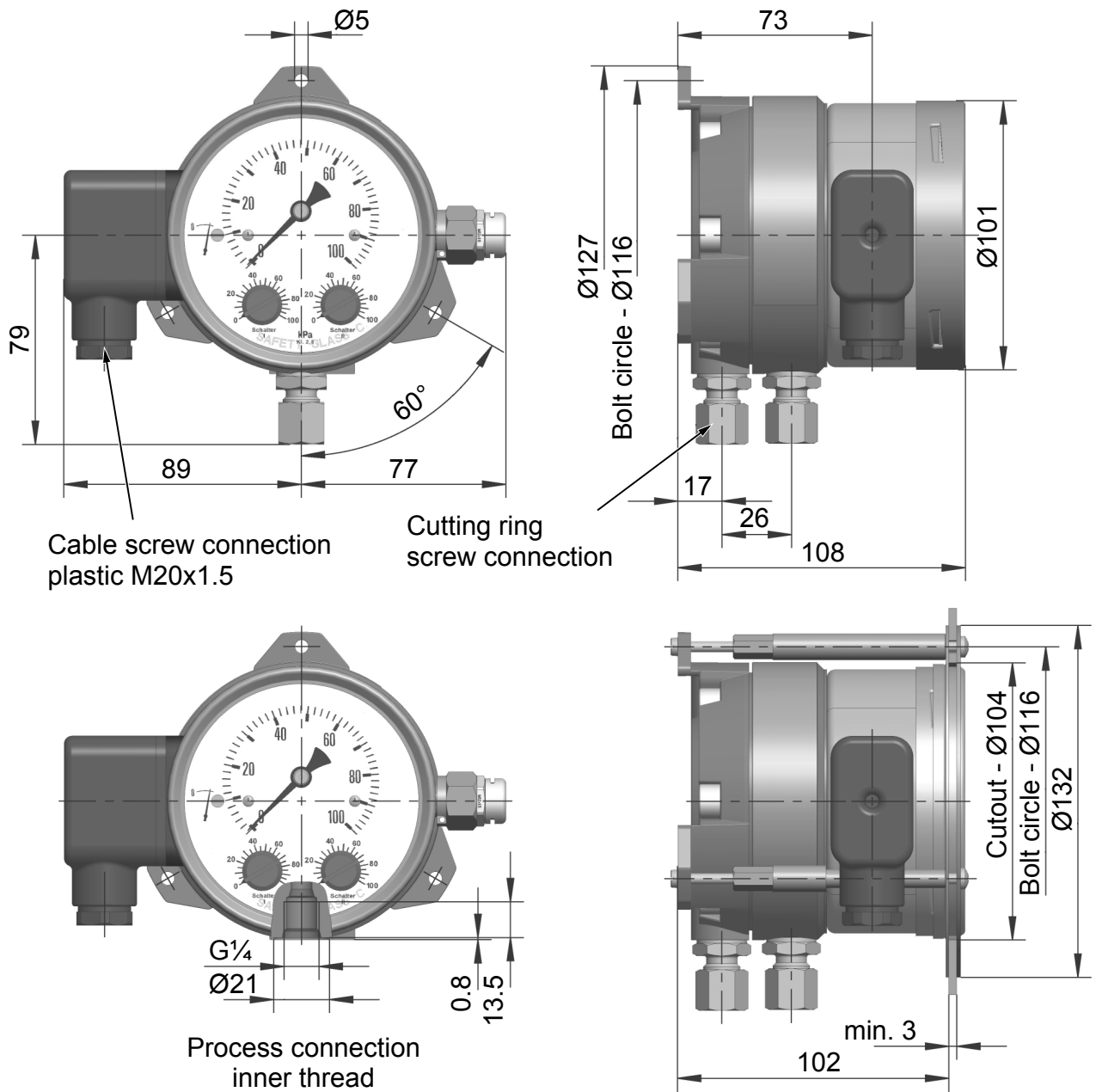


Fig. 7: Pressure chamber in aluminium (IP65)

2.7.2 Pressure chamber in stainless steel

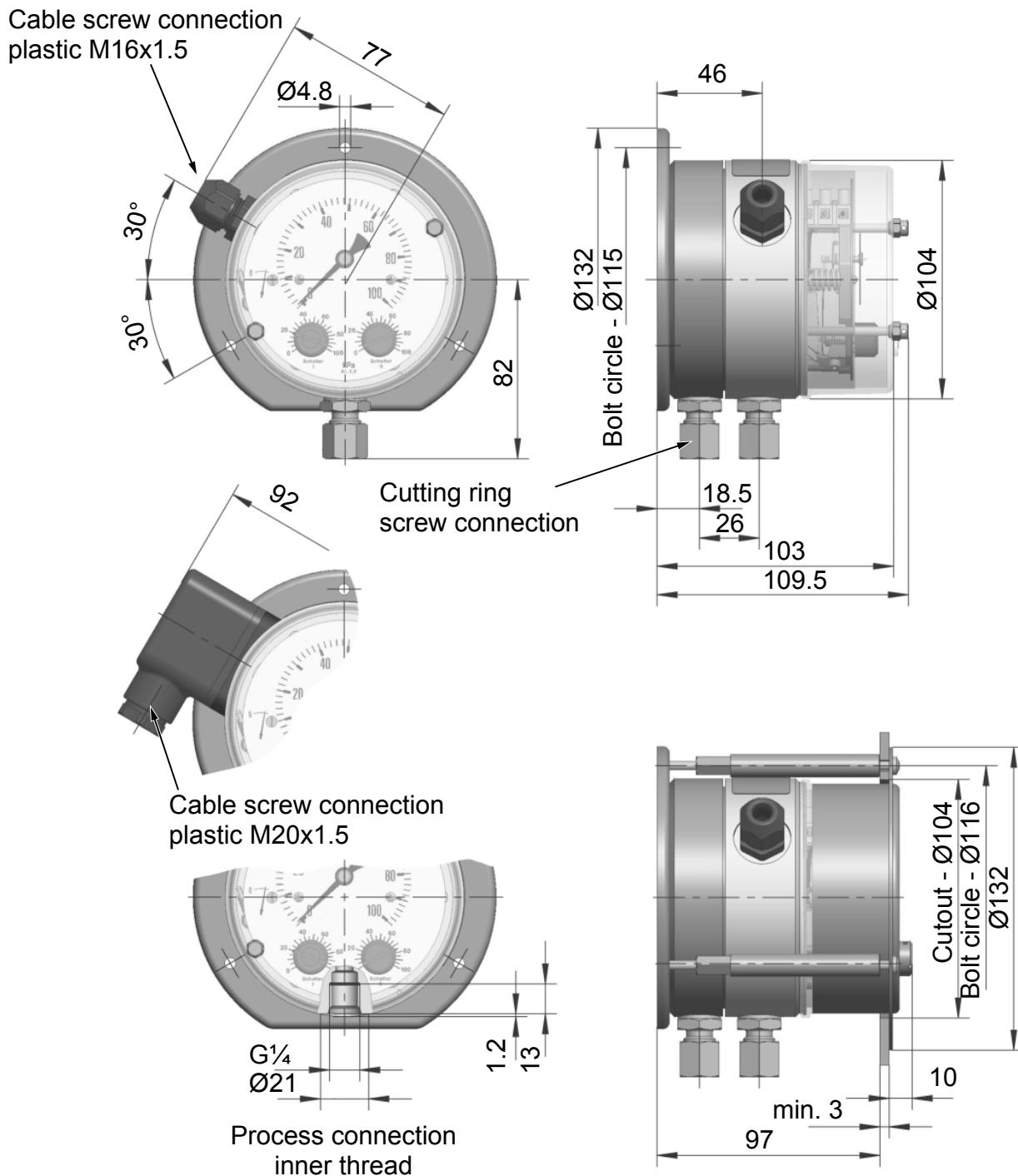


Fig. 8: Pressure chamber in VA (IP55)

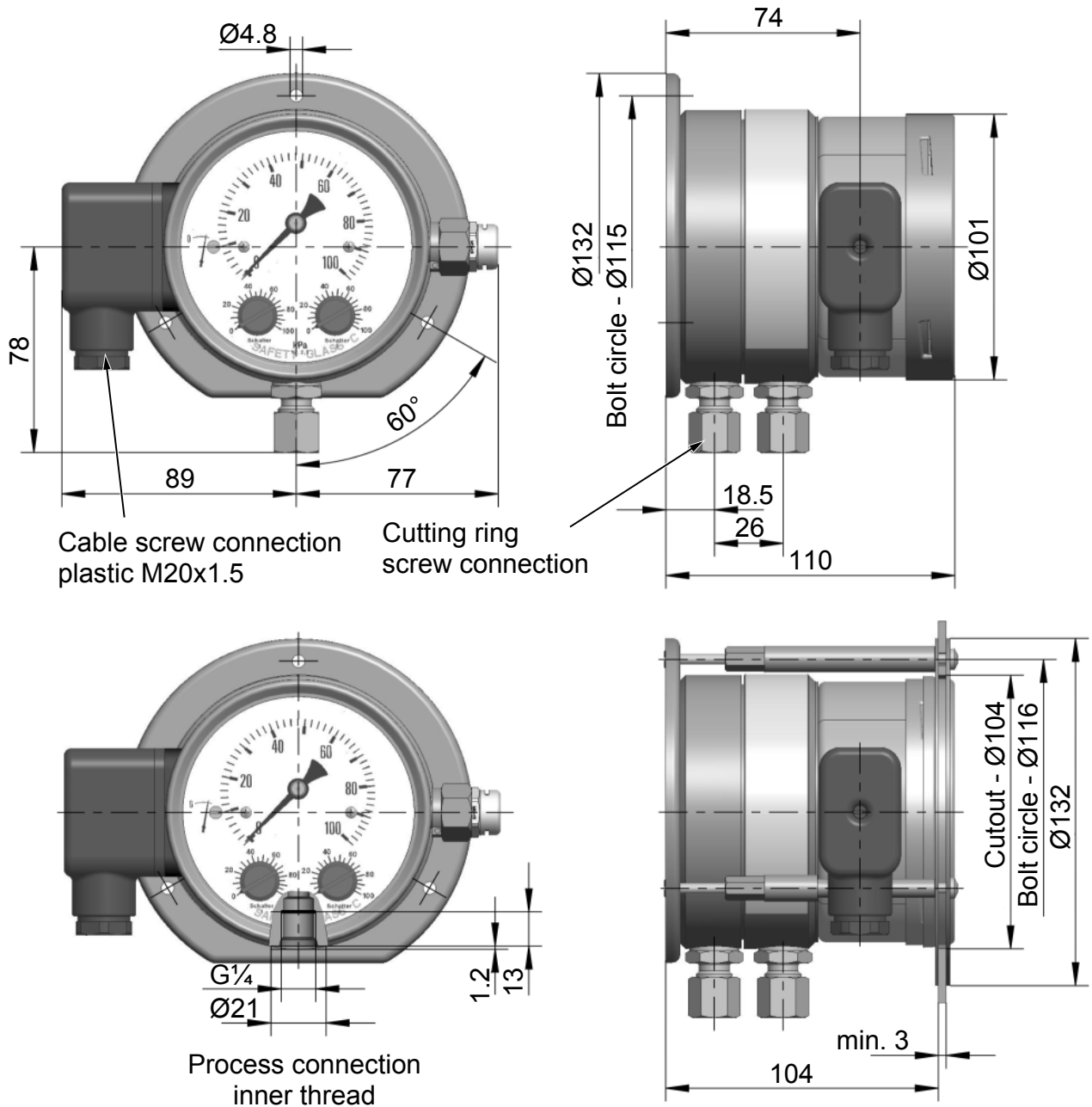


Fig. 9: Pressure chamber in VA (IP65)

2.7.3 Installation of front panel

The cutout required to mount the front control panel is the same for all models.

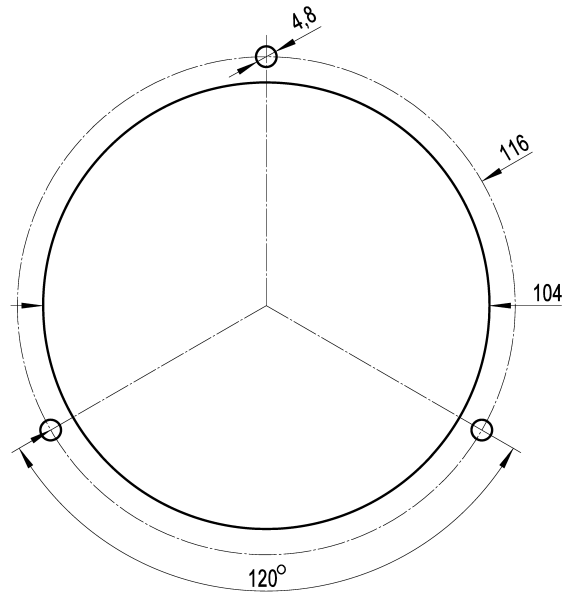
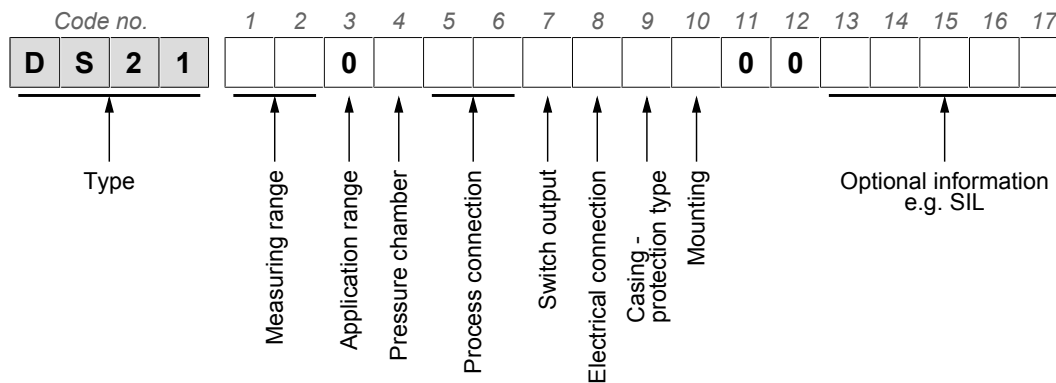


Fig. 10: Front panel cutout

3 Order Codes



Measuring range

[1.2]	← Code no.	Allowed static pressure
82	0 ... 250 mbar	6 bar
83	0 ... 400 mbar	6 bar
01	0 ... 0.6 bar	10 bar
02	0 ... 1 bar	16 bar
03	0 ... 1.6 bar	16 bar
04	0 ... 2.5 bar	16 bar
05	0 ... 4 bar	16 bar
06	0 ... 6 bar	16 bar

Application scope

[3]	← Code no.
0	Thermal oil DIN 4754-2 / Hot water Flow 100

Pressure chamber

[4]	← ? Code no.
A	Aluminium
D	Aluminium with HART COAT® coating
W	Stainless steel 1.4305

Process connection

[5.6]	← Code no.
01	Inner thread G 1/4
Cutting ring screw connections made of steel	
20	for 6 mm tube
21	for 8 mm tube
22	for 10 mm tube
23	for 12 mm tube
Cutting ring screw connections made of stainless steel 1.4571	
24	for 6 mm tube
25	for 8 mm tube
26	for 10 mm tube
27	for 12 mm tube

Switch output

[7]	← Code no.
A	1 micro-switch (can be configured)
B	2 micro-switch (can be configured)

Electrical connection	[8]	← Code no.
		Numbered cable, permanently wired
	1	1 m long
	2	2.5 m long
	5	5 m long
	K	Cable connection socket
	Z	DNV-GL version with 3 m connection cable
W	Cable plug	
Casing protection class	[9]	← Code no.
	0	IP55
	P	IP 65 (only with cable socket or cable connector)
Assembly	[10]	← Code no.
	D	Front panel mounting
	W	Wall mounting
Optional information	[13-17]	← Code no.
	#####	Code for special models e.g. SIL The code is generated as agreed with our sales team.

