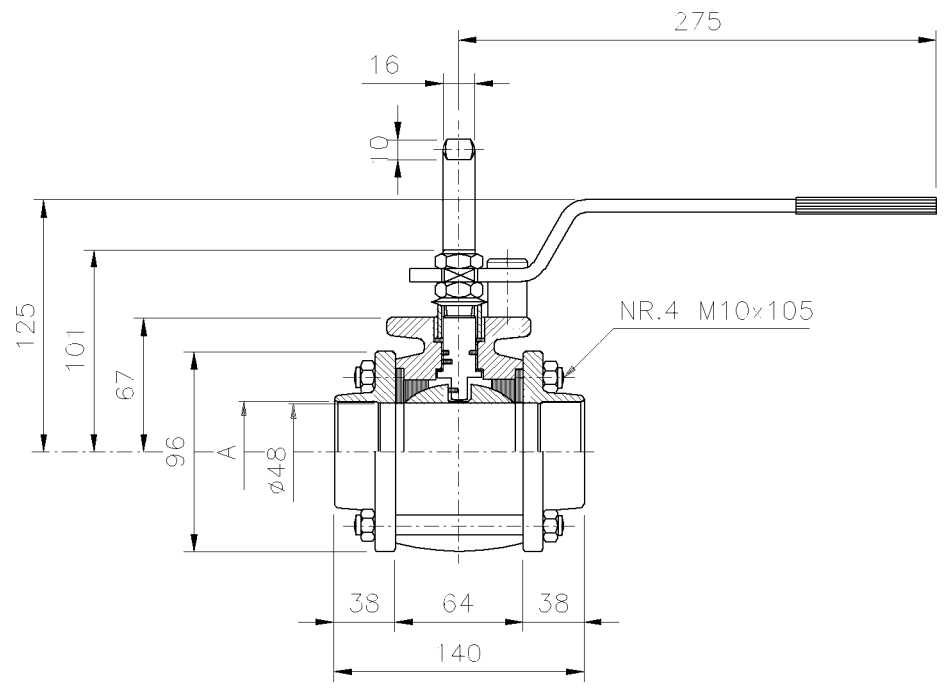


COMPUTER AIDED DESIGN -A-



MATERIALE:
MATERIAL:

BODY: CARBON STEEL
BALL: INOX
GASKET: VITON/PTFE

FLUID: INDUSTRIAL WATER AT 80°C
PRESSURE: PN 16
EXTERNAL TEMPERATURE: 100°C

A02	2" NPT	4.5
A01	2" UNI ISO7/1	4.5
VARIANTI VERSIONI	A	MASSA (Kg) MASS

03	16 Dec 2004	AGGIORNATO DIMENSIONI UPDATED DIMENSION	Gasparin S	Terliche S	
02	14 Mar 2000	AGGIUNTE VARIANTI VERSIONS ADDED	Meret.ma	Deana S	
01	1 Apr 1999	MODIFICATO DIS. MODIFIED DRW.	Fabris	Deana S	
00	1 Jul 1995	EMESSO PER COSTRUZIONE ISSUED FOR CONSTRUCTION	Fabris	Deana S	
Rev.	Date	Revisions description	Drawn by	Checked by	Approved by
Material 1		State of supply Mat.1	Danieli Supply Std.	Supply Class	Pattern DB
Material 2		State of supply Mat.2	Danieli Supply Std.	Supply Class	Casting Code
Material 3		State of supply Mat.3	Danieli Supply Std.	Supply Class	
Heat Treatment					
On Drawing Symbol, if required, ----					
Coating					
On Drawing Symbol, if required, ----					
Unquoted radius	Unquoted bevels	Dimensions without tolerance as per	Machinings	Max. Welding Class	
1 (mm)	1X45° (mm)	DANIELI STD 2.4.103	<input checked="" type="checkbox"/> <input checked="" type="checkbox"/> <input checked="" type="checkbox"/> <input checked="" type="checkbox"/> <input checked="" type="checkbox"/> <input checked="" type="checkbox"/> <input checked="" type="checkbox"/> <input checked="" type="checkbox"/> <input checked="" type="checkbox"/>		
Project Name					
				Job nr	
				Obtained from	
Family code/Machine code SEE TABLE				Replaces	
				Weight (Kg)	SEE TABLE
Title					
VALVOLA A SFERA 2"				BALL VALVE 2"	
DANIELI Shop number				Revision	Format
0.121585.M				03	A3
DANIELI dwg number				Revision	Nr. of sheets
					001
				Sheet	Follow
				001	
According to law DANIELI & C. SpA considers this document to be a company secret and therefore prohibits any person to reproduce or disclose it or make it known in whole or in part to other parties or to competitors without specific written authorization of DANIELI's Management					
File nr C121585M_001					