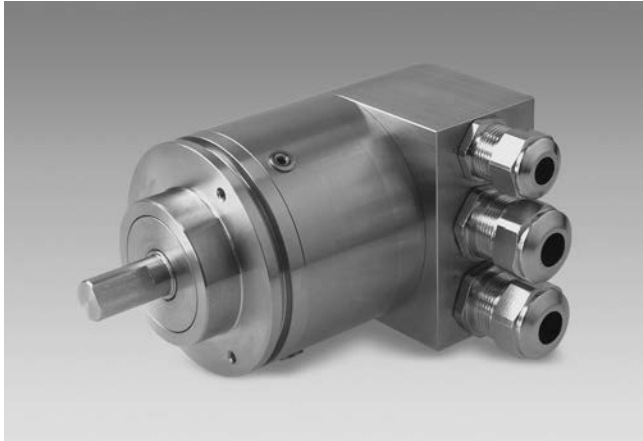


Absolute encoders - modular bus covers

Solid shaft $\varnothing 10$ mm with clamping flange

Magnetic multiturn encoders 12 bit ST / 18 bit MT

BMMV 58 flexible - *MAGRES hermetic*



BMMV 58K flexible with clamping flange

Features

- Encoder multiturn / bus cover
- Magnetic sensing, hermetically sealed
- Resolution: singleturn 12 bit, multiturn 18 bit
- Modular fieldbus interfaces
- High resistance to shock and vibrations
- Resolution and zero point programmable
- CANopen®/EtherNet-IP/PROFINET/Profibus/SAEJ1939
- Protection IP 69K
- Material: stainless steel 1.4305

Technical data - electrical ratings

| | |
|-------------------------|--|
| Voltage supply | 10...30 VDC |
| Consumption typ. | 100 mA (24 VDC, w/o load) |
| Initializing time typ. | 170 ms after power on |
| Interfaces | CANopen®, EtherNet/IP, Profibus-DPV0/V2, PROFINET, SAEJ1939 |
| Function | Multiturn |
| Device address | Rotary switch in bus cover |
| Steps per turn | ≤ 4096 / 12 bit |
| Number of turns | ≤ 262144 / 18 bit |
| Absolute accuracy | $\pm 1^\circ$ |
| Sensing method | Magnetic |
| Code | Binary |
| Code sequence | CW default, programmable |
| Interference immunity | DIN EN 61000-6-2 |
| Emitted interference | DIN EN 61000-6-3 |
| Programmable parameters | Steps per revolution Number of revolutions Preset Scaling Rotating direction |
| Diagnostic functions | Position or parameter error Multiturn sensing |
| Status indicator | DUO-LED integrated in bus cover |
| Approval | UL approval / E217823 |

Technical data - mechanical design

| | |
|-------------------------|---|
| Size (flange) | $\varnothing 58$ mm |
| Shaft type | $\varnothing 10$ mm solid shaft (clamping flange) |
| Flange | Clamping flange |
| Protection DIN EN 60529 | IP 69K |
| Operating speed | ≤ 6000 rpm |
| Operating torque typ. | 0.031 Nm |
| Admitted shaft load | ≤ 120 N axial (combined) ≤ 280 N radial (combined) ≤ 270 N axial (concentrated load) |
| Materials | Stainless steel 1.4305 (other materials on request) |
| Operating temperature | $-40 \dots +85^\circ\text{C}$ |
| Resistance | DIN EN 60068-2-6 Vibration 30 g, 10-2000 Hz DIN EN 60068-2-27 Shock 500 g, 6 ms |
| Weight approx. | 900 g |
| Connection | Bus cover |

Absolute encoders - modular bus covers

Solid shaft $\varnothing 10$ mm with clamping flange

Magnetic multiturn encoders 12 bit ST / 18 bit MT

BMMV 58 flexible - MAGRES hermetic

Part number

Multiturn clamping flange

BMMV 58K5N H0

Connection
D Encoder with bus cover / cable gland (CANopen, DeviceNet, Profibus)
E Encoder with bus cover, M12

Solid shaft
H0 $\varnothing 10$ mm, IP 68 and IP 69K

Resolution
12/18 12/18 bit single-/multiturn (only CANopen)
12/16 12/16 bit single-/multiturn

Voltage supply / signals
24B 10...30 VDC / CANopen®
24D 10...30 VDC / DeviceNet*
24P 10...30 VDC / Profibus-DPV0
24Q 10...30 VDC / Profibus-DPV2
24I 10...30 VDC / EtherNet/IP
246 10...30 VDC / EtherCAT*
24L 10...30 VDC / POWERLINK*
24H 10...30 VDC / PROFINET
24J 10...30 VDC / SAEJ1939
24C 10...30 VDC / basic encoder

Accessories

Connectors and cables

| | |
|----------|--|
| 10160565 | Cable connector/connector M12, EtherCAT, straight, 5 m |
| 11046266 | Female connector M12, 5-pin, straight, 5 m cable |
| 11046264 | Female connector M12, 5-pin, straight, 2 m cable |
| 10153968 | Female connector M12, 5-pin, straight, without cable |
| 10157909 | Cable with male/female M12, Profibus, straight, B-coded, 2 m |
| 10157910 | Cable with male/female M12, Profibus, straight, B-coded, 5 m |
| 10159389 | Cable with male/female M12, Profibus, straight, B-coded, 0.3 m (stub line) |
| 10157911 | Cable with male/female M12, Profibus, angled, B-coded, 2 m |
| 10157912 | Cable with male/female M12, Profibus, angled, B-coded, 5 m |

Mounting accessories

| | |
|----------|--|
| 10252773 | Clamp set $\varnothing 15$ mm |
| 11053277 | Bellows coupling aluminium/stainless steel 10 mm |

Programming accessories

| | |
|----------|--|
| 10147362 | CD-ROM with GSD-/EDS-/XML files and user manuals |
|----------|--|

CD with file descriptions is not included in the delivery. You may order them on CD as accessory under part number 10147362.

* On request

Absolute encoders - modular bus covers

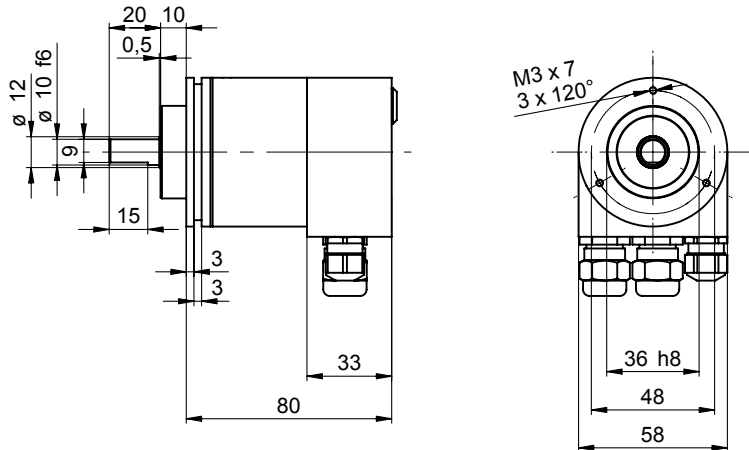
Solid shaft $\varnothing 10$ mm with clamping flange

Magnetic multiturn encoders 12 bit ST / 18 bit MT

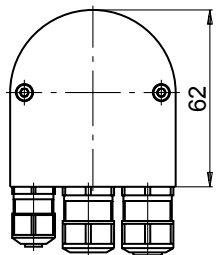
BMMV 58 flexible - MAGRES hermetic

Dimensions

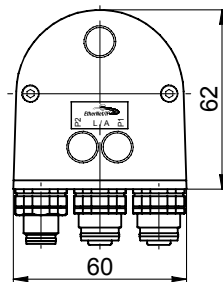
BMMV 58 hermetic flexible, with bus cover



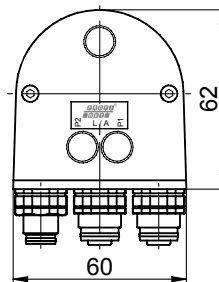
CANopen®



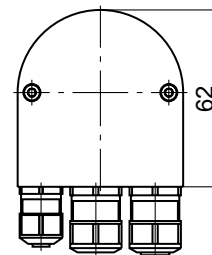
EtherNet-IP



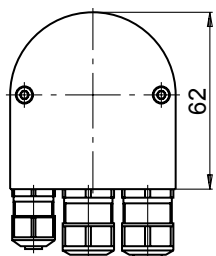
PROFINET



Profibus-DP



SAEJ1939



Absolute encoders - modular bus covers

Solid shaft $\varnothing 10$ mm with clamping flange

Magnetic multiturn encoders 12 bit ST / 18 bit MT

BMMV 58 flexible - *MAGRES hermetic*
