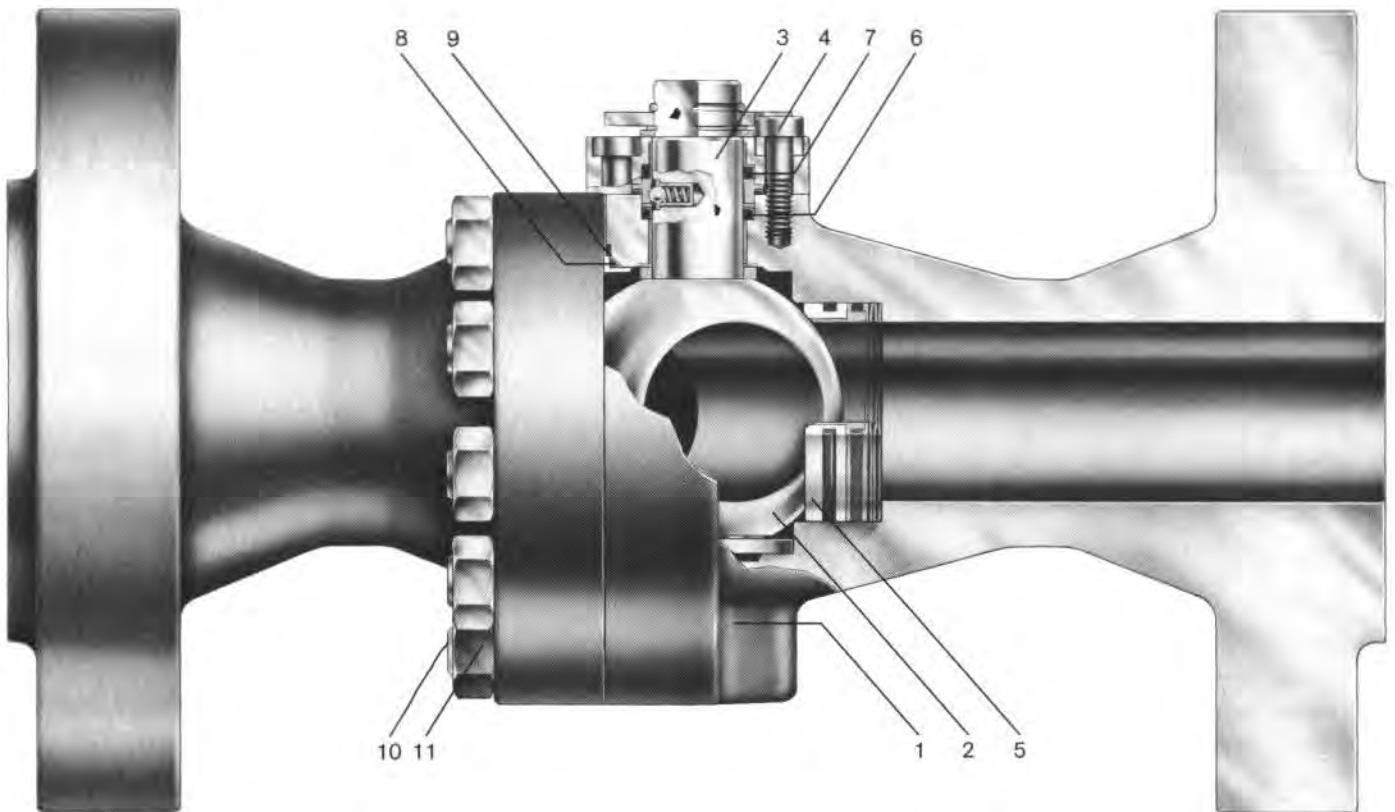


## The speciality of the ARGUS ball valves HK/35 (DN 50)

---

DN 50 ANSI Cl. 600–1500 full bore  
DN 80 ANSI Cl. 600–1500 red. bore



### Description:

The HK/35 ball valve with its many innovative design features represents the highest standards in valve technology and is designed to meet the API-6D and ANSI B16.34 requirements.

Long lifetime and low operating torques due to the clear separation of the sealing and bearing functions, on both stem and ball.

### Design:

Split body design with superfine finished trunnion mounted ball, anti-blow-out stem, spring loaded ball seats, cavity relief and anti-static device. Long life double stem seal system and stem supported in bearings to ensure seals are free from operating loads.

Stem sealing construction complies with the TA-Luft fugitive emissions requirements.

Fire safe to BS 6755 and API 607.

### Accessories and optional executions.

Adaptable to all types of actuators with mounting plate to DIN/ISO 5211 (to be ordered separately).

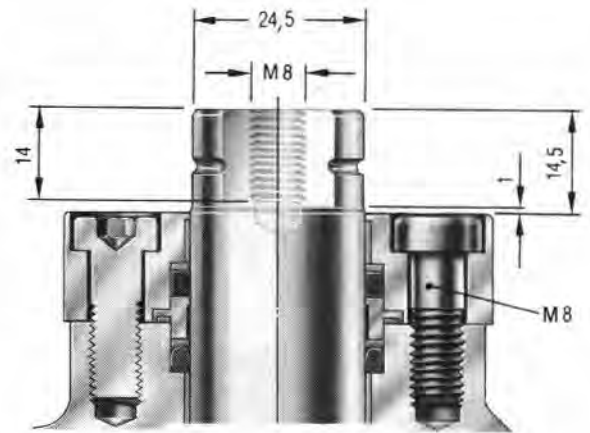
Limit switches; Locking devices;  
Extended wrenches; Stem extensions.

Secondary sealing system (see page 63).

Metal to metal seats and/or extended bonnets with stuffing box for high/low temperatures and abrasive medium combinations (see page 64).

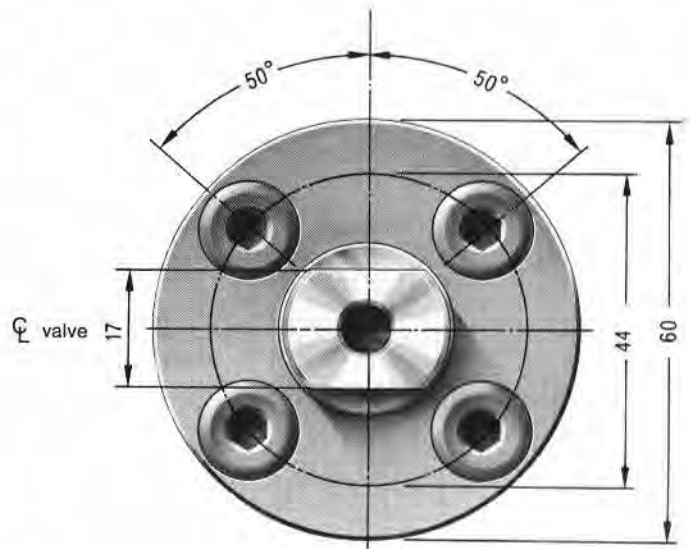
Drain connections.

## Topwork dimensions



## Materialist of main parts

Item No.	Description	Material specification (for detailed information see page 66)	Nearest typical ASTM-equivalent
1	Body	CS-Low temp. (Std.) SS	A350-LF2 A182-F316
2	Ball	Cr13 SS	AISI 410 A182-F316
3	Stem	Cr13 SS 17-4PH	AISI 410 A182-F316
4	Gland bolts	8.8 A4-70	A193-B8M
5	Ball seats	Lyton, POM	
6	Primary stem seal	FPM; MFQ	
7	Second. stem seal	Celastic	
8	Primary body seal	FPM; MFQ	
9	Second. body seal	Celastic	
10	Bolts A4-70	B7 A4-70 L7M	A193 Gr. B7 A193-B8M A320 L7M
11	Nuts	Gr.4 A4-70	A194-Gr.4 A194-8M



## Standard material combinations (Preferably to order – short deliverytime)

ANSI	Cl. 600–1500	Cl. 600–1500
Description	Mat.-Order Code 14244442	Mat.-Order Code 14744442
Body	CS-Low temp.	CS-Low temp.
Ball/Stem	SS	SS
Ball seats	Lyton	POM
Stem seals	FPM/Celastic	FPM/Celastic
Body seals	FPM/Celastic	FPM/Celastic

Available with mounting plate in accordance with DIN/ISO 5211.