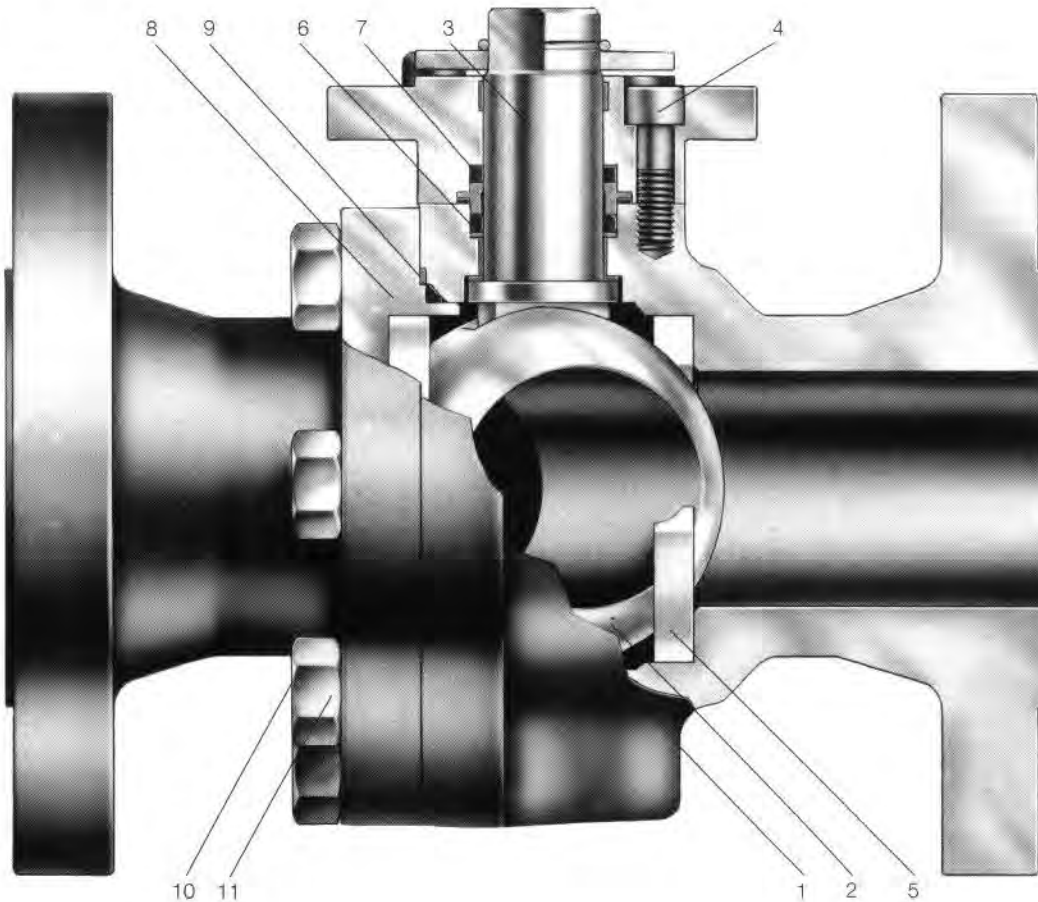


The speciality of the ARGUS ball valves FK/79

DN 15–50 ANSI cl. 150 Full bore
DN 15–50 ANSI cl. 300 Full bore
DN 15–50 ANSI cl. 600 Full bore



Description:

The FK/79 ball valve with its many innovative design features represents the highest standards in valve technology and is designed to meet the API-6D, ANSI B16.34 and BS 5351 requirements.

Long lifetime and low operating torques due to the clear separation between the sealing and bearing functions.

Design:

Split body design with superfine finished seat supported ball, anti-blow-out stem, compact ball seats and anti-static device. Long life double stem seal system and stem supported in bearings to ensure seals are free from operating loads. With mounting plate to DIN/ISO 5211. Stem sealing construction complies with the TA-Luft fugitive emissions requirements.

Fire safe to BS 6755 and API 607

Accessories and optional executions.

Limit switches; Locking devices;
Extended wrenches; Stem extensions.
Steam jackets for indirect process heating.

Round, gull wing and spring return "deadman" handles, metal to metal seats and/or extended bonnets with stuffing box for high/low temperatures and abrasive medium combinations (see page 64). Drain connections.

Topwork dimensions

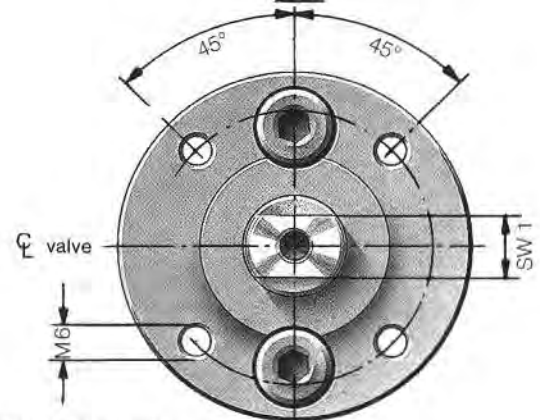
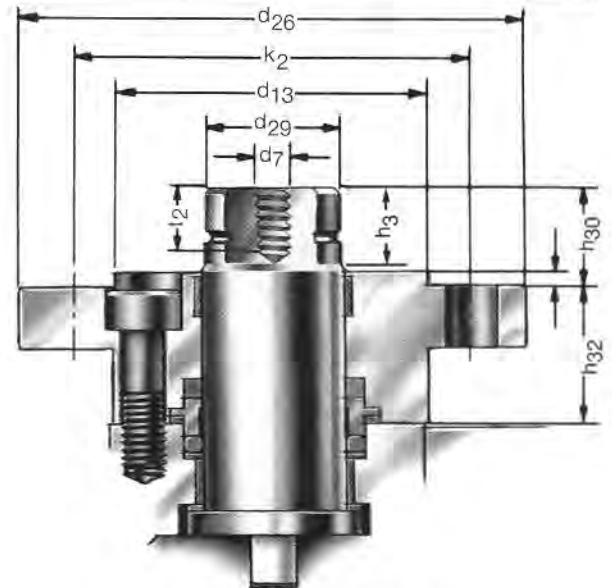
DN full	d ₇	d ₁₃	d ₂₆	k ₂	d ₂₉	t ₂	h ₃	h ₃₀	h ₃₂	SW ₁
15	M 6	35	65	50	16,5	10	9,5	12,5	8	10
20					18,5		11	14	12	12
25										
40	M 8	55	90	70	24,5	14	13,5	17,5	24,5	17
50										

Materialist of main parts

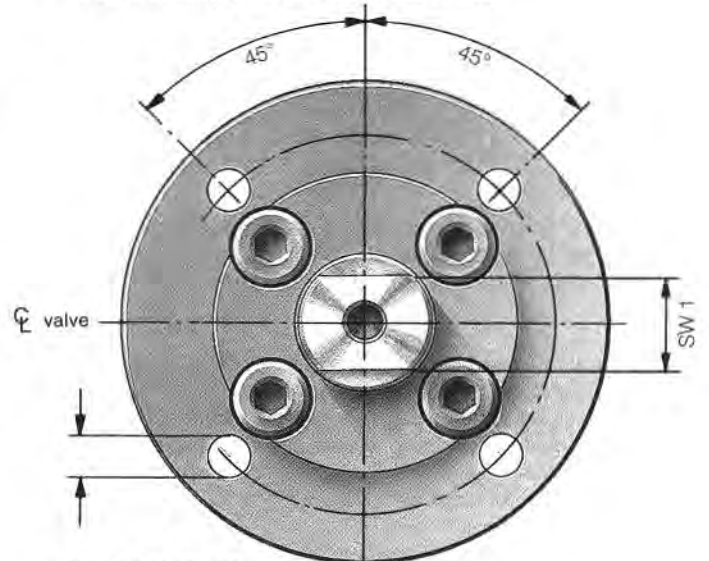
Item No.	Description	Material specification (for detailed information see page 66)	Nearest typical ASTM-equivalent
1	Body	CS-Low temp. (Std.) SS Duplex SS	A350-LF2 A182-F316
2	Ball	CR13 SS Duplex SS Monel SS, Arguloy 1 hardfaced	AISI 410 A182-F316
3	Stem	CR13 SS Duplex SS Monel 17-4PH	AISI 410 A182-F316
4	Gland bolts	8.8 A4-70	A193-B8M
5	Ball seats	Virgin PTFE; POM; Lyton SS, Arguloy 1 hardfaced	
6	Primary stem seal	PTFE; FPM; MFQ	
7	Second. stem seal	Celastic	
8	Body seal	PTFE; FPM; MFQ	
9	Second. body seal	Celastic	
10	Bolts	B7 L7M	A193-B7 A320-L7M
11	Nuts	Gr.4 A4-70	A194-Gr.4 A194-8M

Standard material combinations (Preferably to order - short deliverytime)

ANSI	Cl. 150-600	Cl. 150-600	Cl. 150-300
	Mat.-Order Code 1850844	Mat.-Order Code 1450455	Mat.-Order Code 4450455
Body	CS-Low temp.	CS-Low temp.	SS
Ball/ Stem	CR 13	SS	SS
Ball seats	PTFE	PTFE	PTFE
Stem seals	FPM/Celastic	PTFE/Celastic	PTFE/Celastic
Body seals	FPM	PTFE/Celastic	PTFE/Celastic



FK/79 DN 15-25
ISO-mounting plate to DIN/ISO 5211 F05



FK/79 DN 40+50
ISO-mounting plate to DIN/ISO 5211 F07