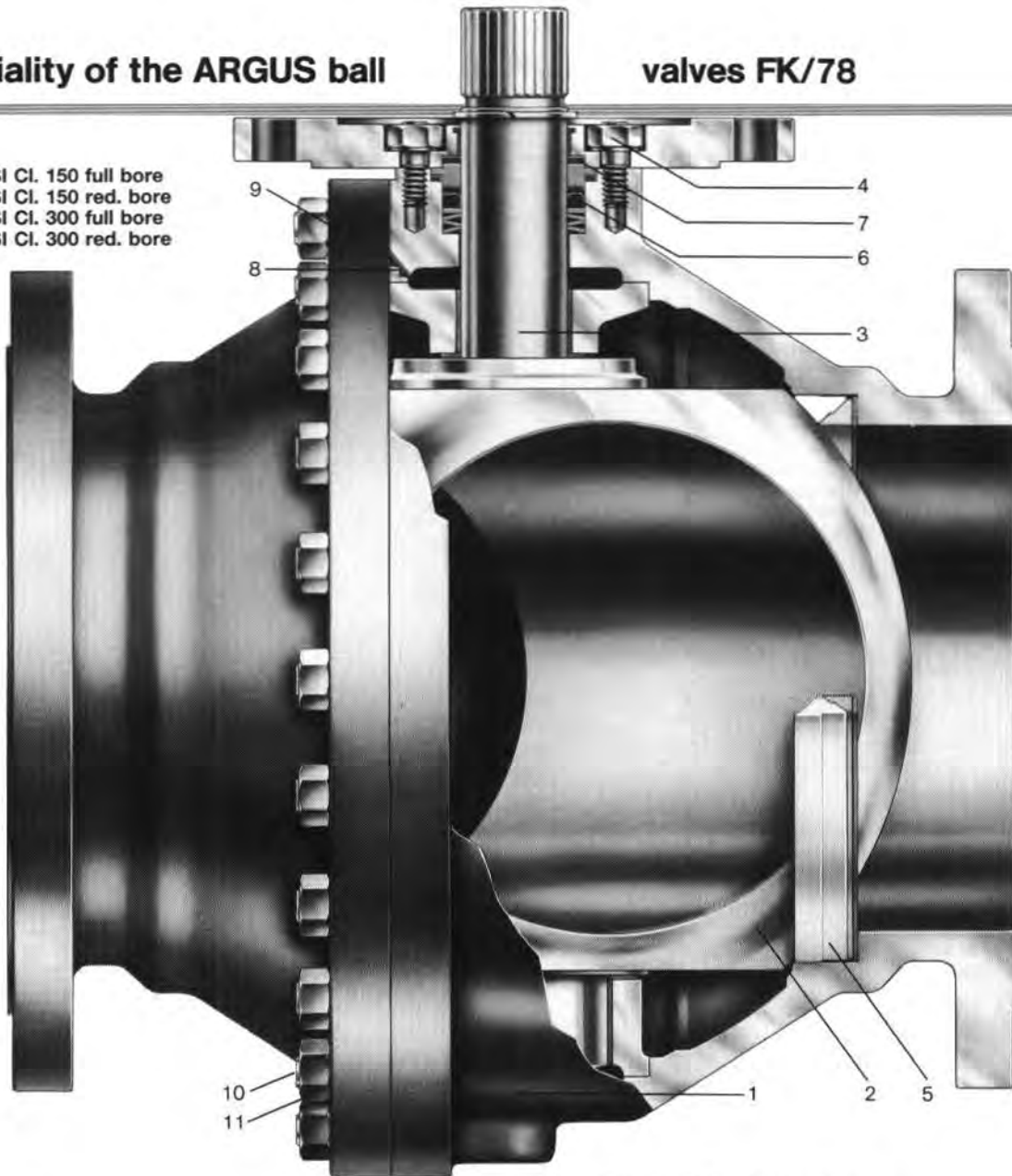


The speciality of the ARGUS ball

valves FK/78

DN 450–600 ANSI Cl. 150 full bore
DN 500–600 ANSI Cl. 150 red. bore
DN 450–500 ANSI Cl. 300 full bore
DN 500–600 ANSI Cl. 300 red. bore



Description:

The FK/78 ball valve with its many innovative design features represents the highest standards in valve technology and is designed to meet the API-6D, ANSI B16.34 and BS5351 requirements.

Long lifetime and low operating torques due to the clear separation of the sealing and bearing functions, on both stem and ball.

Design:

Split body design with superfine finished trunnion mounted ball, anti-blow-out stem, spring loaded ball seats, cavity relief and anti-static device. Long life double stem seal system and stem supported in bearings to ensure seals are free from operating loads. With mounting plate to DIN/ISO 5211.

Stem sealing construction complies with the TA-Luft fugitive emissions requirements.

Fire safe to BS 6755 and API 607.

Drain connection.

Accessories and optional executions.

Limit switches; Locking devices;
Stem extensions.

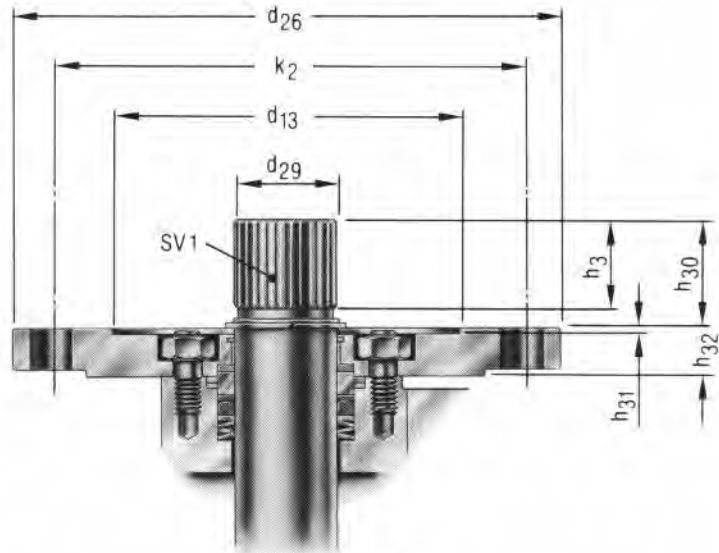
Secondary sealing system (see page 63).

Metal to metal seats and/or extended bonnets with stuffing box for high/low temperatures and abrasive medium combinations (see page 64).

Vent connections.

Topwork dimensions

DN full	DN red.	d13	d26	d28	d29	k2	h3	h30	h31	h32	SV1
450	500x450x500	200	300	18	80	254	80	119	6	38	W 80x3x25x8 F
500	600x500x600	200	300	18	80	254	80	119	6	38	W 80x3x25x8 F
600		230	350	21	105	298	80	95	6	41	W 105x3x34x8 F

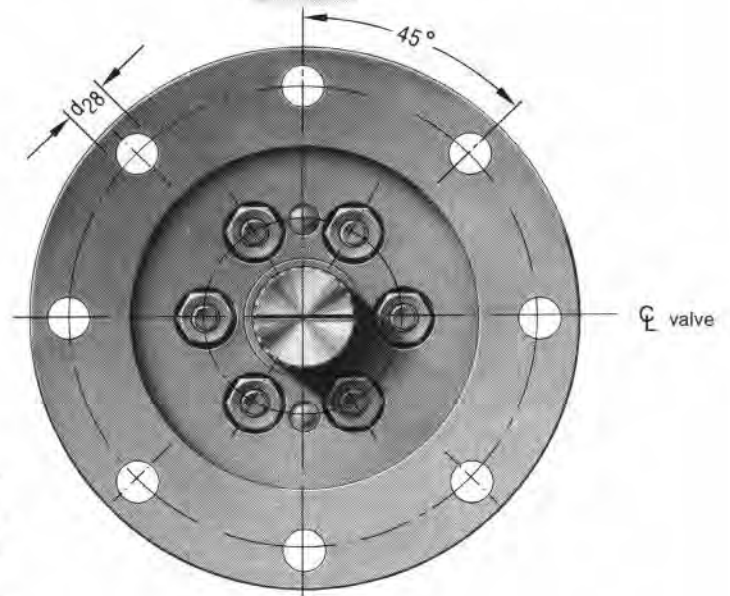


Materialist of main parts

Item No.	Description	Material specification (for detailed information see page 66)	Nearest typical ASTM-equivalent
1	Body	CS CS-Low temp. SS Duplex SS	A216-WCB A352-LCB A351-CF8M
2	Ball	CS-ENP SS Duplex SS	A381-Y52 (ENP) A351-CF8M
3	Stem	CS-LT SS Duplex SS 17-4PH	A350-LF2 A182-F316
4	Gland bolts	5.6 A4-70	A193-B7 A193-B8M
5	Ball seats	Virgin PTFE	
6	Primary stem seal	NBR; FPM; MFQ	
7	Second. stem seal	Celastic	
8	Primary body seal	NBR; FPM; MFQ	
9	Second. body seal	Celastic	
10	Bolts	B7 A4-70	A193 Gr. B7 A193-B8M
11	Nuts	Gr.4 A4-70	A194-Gr. 4 A194-8M

Standard material combinations (Preferably to order - short deliverytime)

ANSI	Cl. 150-300	Cl. 150-300
Des-crip-tion	Mat.-Order Code 11511112	Mat.-Order Code 14544442
Body	CS	CS
Ball/ Stem	CS-ENP	SS
Ball seats	PTFE	PTFE
Stem seals	NBR/Celastic	FPM/Celastic
Body seals	NBR	FPM



ISO mounting plate to DIN/ISO 5211.