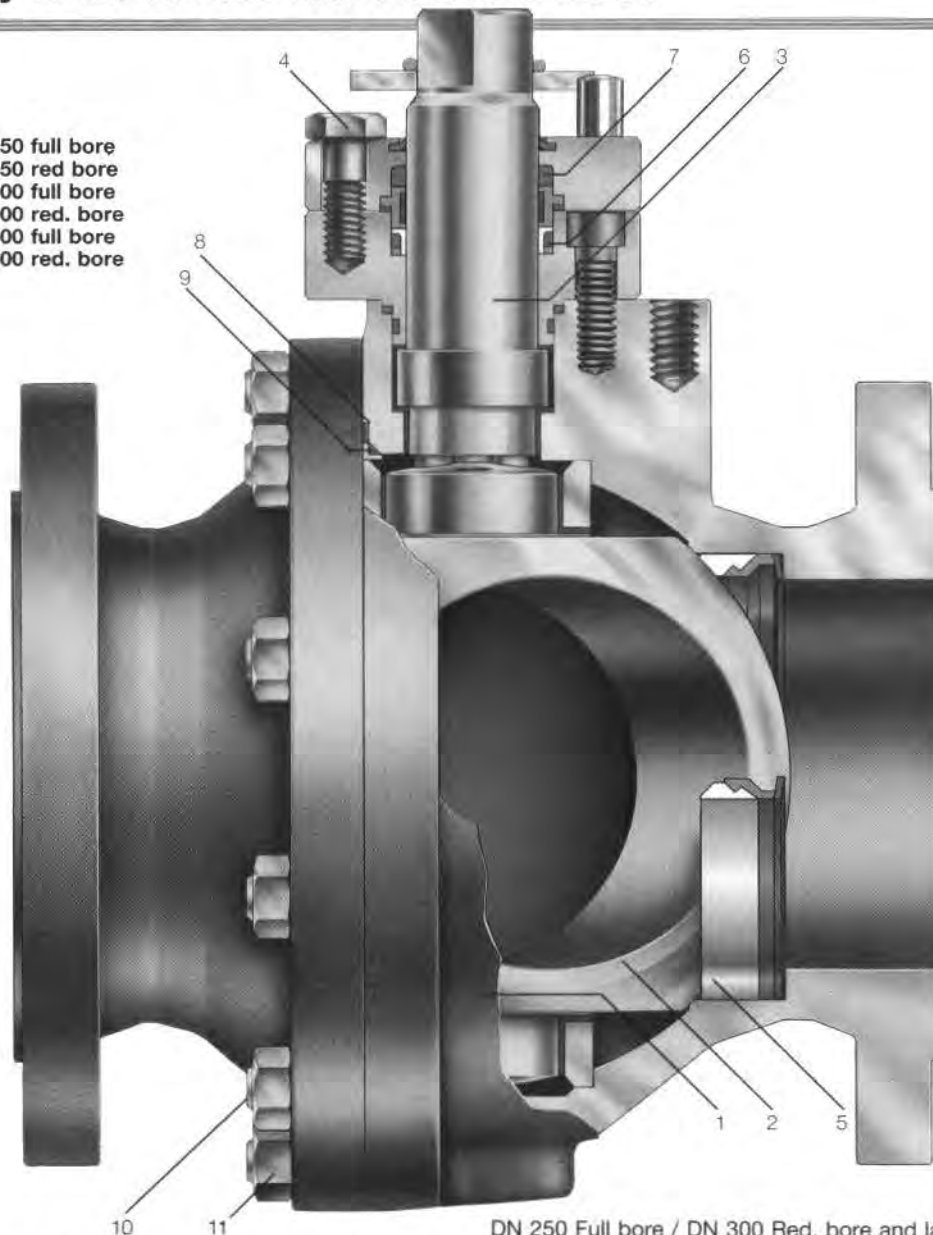


The speciality of the ARGUS ball valves FK/76/77

DN 250–400 ANSI Cl. 150 full bore
 DN 300–500 ANSI Cl. 150 red bore
 DN 150–400 ANSI Cl. 300 full bore
 DN 200–500 ANSI Cl. 300 red. bore
 DN 80–400 ANSI Cl. 600 full bore
 DN 150–500 ANSI Cl. 600 red. bore



Description:

The FK/76/77 ball valve with its many innovative design features represents the highest standards in valve technology and is designed to meet the API-6D and ANSI B16.34 and BS5351 requirements.

Long lifetime and low operating torques due to the clear separation of the sealing and bearing functions, on both stem and ball.

Design:

Split body design with superfine finished trunnion mounted ball, anti-blow-out stem, spring loaded ball seats, cavity relief and anti static device. Long life double stem seal system and stem supported in bearings to ensure seals are free from operating loads.

Stem sealing construction complies with the TA-Luft fugitive emissions requirements.

DN 250 Full bore / DN 300 Red. bore and larger with basic mounting plate, suitable to fit on this plate a mounting plate to DIN/ISO 5211 F14–F35 (to be ordered separately).
 Fire safe to BS 6755 and API 607.

Accessories and optional executions.

DN 80 – DN 200 F.B./DN 250 R.B.
 Adaptable to all types of actuators with mounting plate to DIN/ISO 5211 (to be ordered separately).

Limit switches; Locking devices;
 Extended wrenches; Stem extensions.

Steam jacket for indirect process heating (max. DN 100).

Secondary sealing system (see page 63).

Metal to metal seats and/or extended bonnets with stuffing box for high/low temperatures and abrasive medium combinations (see page 64).

Drain and vent/bleed connections.

Topwork dimensions

| DN full | DN red. | Type | d ₂₆ | d ₂₈ | d ₂₉ | d ₄₁ | k ₂ | h ₃ | h ₃₀ | SW ₁ | SV ₁ | bolt | stoppin |
|---------|-----------------|----------|-----------------|-----------------|-----------------|-----------------|----------------|----------------|-----------------|-------------------|-----------------|---------------|---------|
| 80 | 80 x 65 x 80 | FK 77 | 80 | 27 | 60 | 21 | 30 | 19 | | | | M 10 x 30 | 10 x 40 |
| 100 | 100 x 80 x 100 | FK 77 | 80 | 27 | 60 | 21 | 30 | 19 | | | | M 10 x 30 | 10 x 40 |
| 150 | 150 x 125 x 150 | FK 76.77 | 110 | 47 | 86 | 37 | 47 | 36 | | | | M 12 x 40 | 14 x 55 |
| 200 | 200 x 150 x 200 | FK 76.77 | 110 | 47 | 86 | 37 | 47 | 36 | | | | M 12 x 40 | 14 x 55 |
| | 250 x 200 x 250 | FK 76.77 | 110 | 47 | 86 | 37 | 47 | 36 | | | | M 12 x 40 | 14 x 55 |
| 250 | 300 x 250 x 300 | FK 76.77 | 220 | 17.5 | 65 | 190 | 47 | 66 | ** | | | **ANSI Cl 150 | 36 |
| 300 | 350 x 300 x 350 | FK 76.77 | 220 | 17.5 | 65 | 190 | 47 | 66 | ** | | | ANSI Cl 300 | 55 |
| | 400 x 300 x 400 | FK 76.77 | 220 | 17.5 | 65 | 190 | 47 | 66 | ** | | | ANSI Cl 600 | 55 |
| 400 | 450 x 400 x 450 | FK 76 | 300 | 22 | 70 | 254 | 55 | 77.5 | 55 | | | | |
| | 500 x 400 x 500 | FK 76 | 300 | 22 | 70 | 254 | 55 | 77.5 | 55 | | | | |
| 400 | 450 x 400 x 450 | FK 77 | 300 | 22 | 80 | 254 | 70 | 90.5 | | W80 x 3 x 25 x 8F | | | |
| | 500 x 400 x 500 | FK 77 | 300 | 22 | 80 | 254 | 70 | 90.5 | | W80 x 3 x 25 x 8F | | | |

Materialist of main parts

| Item No. | Description | Material specification (for detailed information see page 66) | Nearest typical ASTM-equivalent |
|----------|-------------------|--|---------------------------------|
| 1 | Body | CS-Low temp. (Std.) SS Duplex SS | A350-LF2 A182-F316/A351 CF8M |
| 2 | Ball | CR13 (≤ DN 200) SS Duplex SS SS, Arguloy 1, hardfaced CS, ENP (≥ DN 250) | AISI 410 A351-CF8M |
| 3 | Stem | CR13 SS Duplex SS 17-4PH | AISI 410 A182-F316 |
| 4 | Gland bolts | 5.6 A4-70 | 193-Gr.2 A193-B8M |
| 5 | Ball seats | PTFE; POM; Lyton SS, Arguloy 2, hardfaced | |
| 6 | Primary stem seal | FPM; PTFE; MFQ | |
| 7 | Second. stem seal | Celastic | |
| 8 | Primary body seal | FPM; PTFE; MFQ | |
| 9 | Second. body seal | Celastic | |
| 10 | Bolts | B7 L7M A4-70 | A193 B7 A320-L7M A193-B8M |
| 11 | Nuts | Gr.4 A4-70 | A194 Gr.4 A194-8M |

Standard material combinations (Preferably to order – short deliverytime)

| ANSI | Cl. 150–300 | Cl. 600 | Cl. 150–300 | Cl. 600 |
|---------------|-----------------------------|-----------------------------|-------------------------------|-----------------------------|
| | Mat.-Order Code 18548442 | Mat.-Order Code 18748442 | Mat.-Order Code 1454 D 442 | Mat.-Order Code 14744442 |
| Body | CS-Low temp. | CS-Low temp. | CS-Low temp. | CS-Low temp. |
| Ball/ Stem | Cr 13* | Cr 13* | SS/Duplex | SS |
| Ball seats | PTFE | POM | PTFE | POM |
| Stem seals | FPM/Celastic | FPM/Celastic | PTFE/Celastic | FPM/Celastic |
| Body seals | FPM | FPM | PTFE/Celastic | FPM/Celastic |

*DN 250–400 Ball CS – ENP

