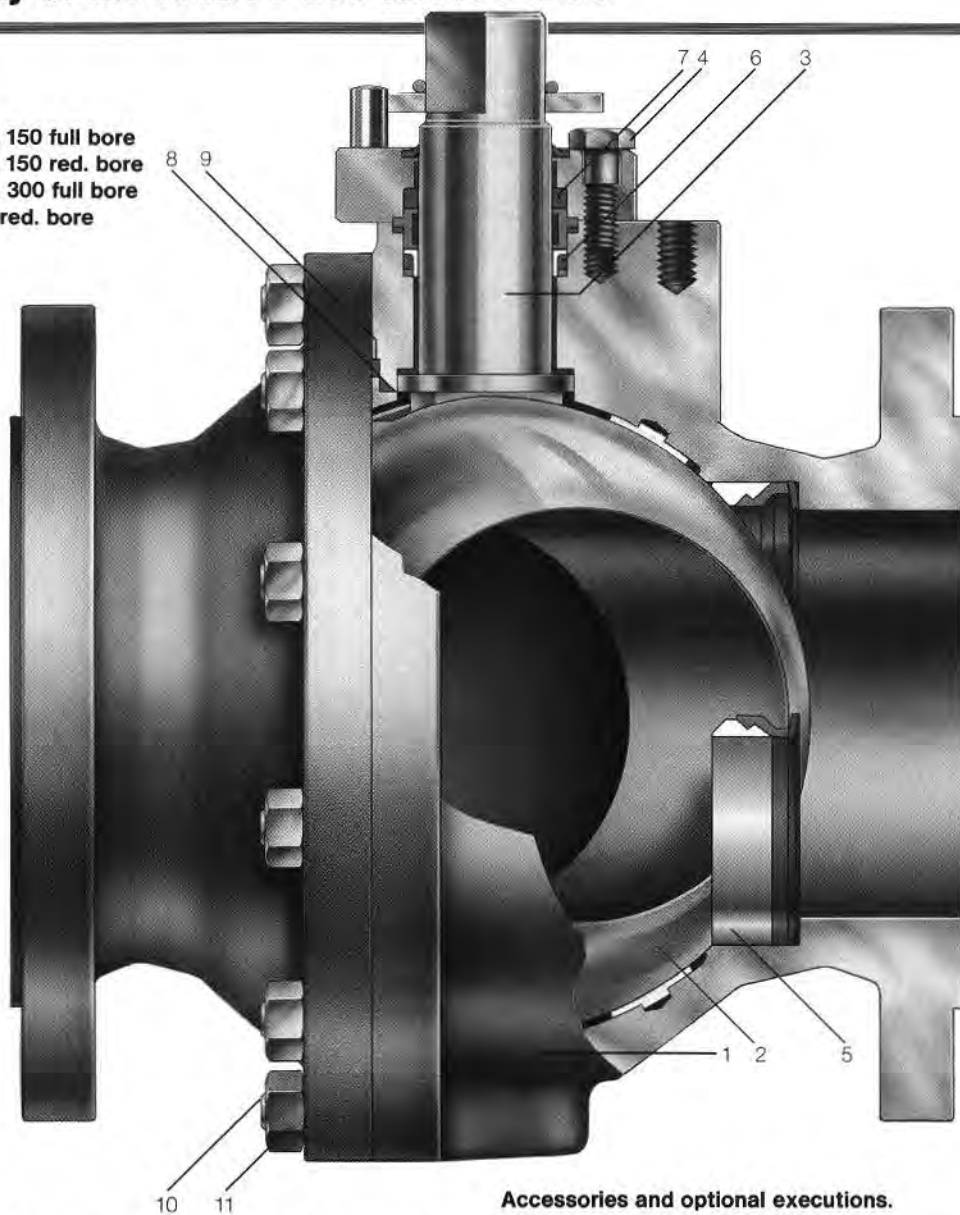


The speciality of the ARGUS ball valves FK/75

DN 80–200 ANSI Cl. 150 full bore
DN 150–250 ANSI Cl. 150 red. bore
DN 80–100 ANSI Cl. 300 full bore
DN 150 ANSI Cl. 300 red. bore



Description:

The FK/75 ball valve with its many innovative design features represents the highest standards in valve technology and is designed to meet the API-6D, ANSI B16.34 and BS 5351 requirements.

Long lifetime and low operating torques due to the clear separation between the sealing and bearing functions.

Design:

Split body design with superfine finished padmounted ball, anti-blow-out stem, spring loaded ball seats with cavity relief and anti-static device. Long life double stem seal system and stem supported in bearings to ensure seals are free from operating loads.

Stem sealing construction complies with the TA-Luft fugitive emissions requirements.

Fire safe to BS 6755 and API 607.

Accessories and optional executions.

Adaptable to all types of actuators with mounting plate to DIN/ISO 5211 (to be ordered separately).

Limit switches; Locking devices;

Extended wrenches; Stem extensions.

Steam jackets for indirect process heating (max. DN 100).

Metal to metal seats and/or extended bonnets with stuffing box for high/low temperatures and abrasive medium combinations (see page 64).

Drain and vent/bleed connections.

Topwork dimensions

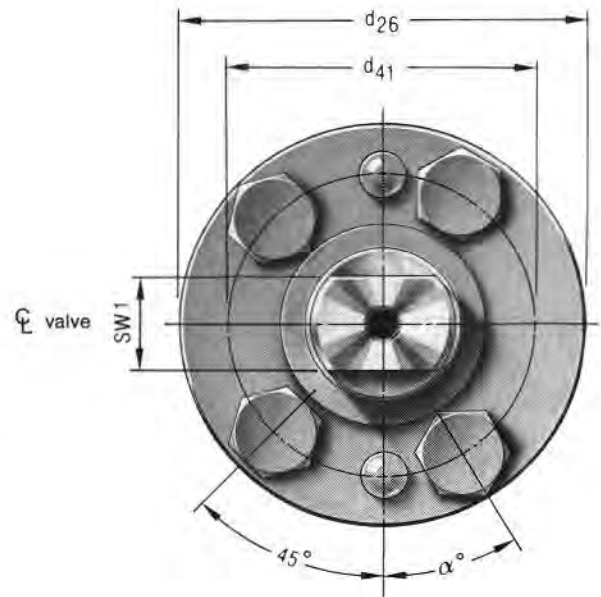
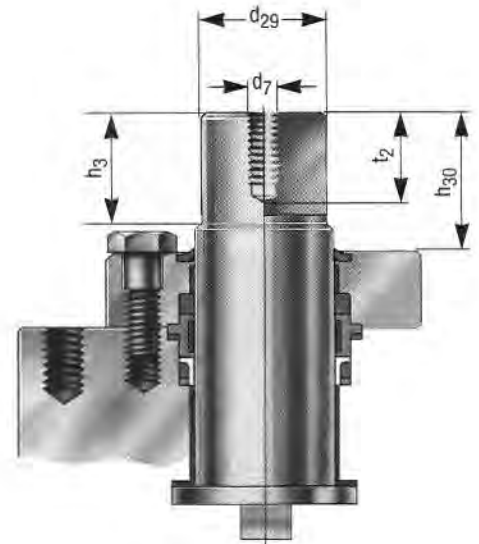
DN full	DN red.	d7	d26	d29	d41	t2	h3	h30	SW1	α	bolt	stoppin
80	80 x 65 x 80	M 8	80	27	60	16	21	30	19	31°	M 10 x 30	10 x 40
100	100 x 80 x 100	M 8	80	27	60	16	21	30	19	31°	M 10 x 30	10 x 40
	150 x 100 x 150	M 8	80	27	60	16	21	30	19	31°	M 10 x 30	10 x 40
150	150 x 125 x 150	M 12	110	47	86	14	37	47	36	45°	M 12 x 40	14 x 55
200	200 x 150 x 200	M 12	110	47	86	14	37	47	36	45°	M 12 x 40	14 x 55
	250 x 200 x 250	M 12	110	47	86	14	37	47	36	45°	M 12 x 40	14 x 55

Materialist of main parts

Item No.	Description	Material specification (for detailed information see page 66)	Nearest typical ASTM-equivalent
1	Body	CS-Low temp. (Std.) SS Duplex SS	A350-LF2 A182-F316/A351 CF8M
2	Ball	CR13 SS Duplex SS Monel SS, Arguloy 1, hardfaced*	AISI 410 A182-F316
3	Stem	CR13 SS Duplex SS Monel 17-4PH	AISI 410 A182-F316
4	Gland bolts	5,6 A4-70	A193-Gr.2 A193-B8M
5	Ball seats	Virgin PTFE; Lyton* SS, Arguloy 2, hardfaced*	
6	Primary stem seal	PTFE; FPM; MFQ	
7	Second. stem seal	Celastic	
8	Primary body seal	PTFE; FPM; MFQ	
9	Second. body seal	Celastic	
10	Bolts	B7 L7M A4-70	A193-B7 A320-L7M A193-B8M
11	Nuts	Gr.4 A4-70	A194-Gr.4 A194-8M

Standard material combinations (Preferably to order - short deliverytime)

ANSI	Cl. 150-300	Cl. 150-300	Cl. 150-300	Cl. 150-300
	Mat.-Order Code 18548442	Mat.-Order Code 1454 D 552	Mat.-Order Code 4454 D 552	Mat.-Order Code 18548542
Body	CS-Low temp.	CS-Low temp.	SS	CS-Low temp.
Ball/ Stem	CR 13	SS/Duplex	SS/Duplex	Cr 13
Ball seats	PTFE	PTFE	PTFE	PTFE
Stem seals	FPM/Celastic	PTFE/Celastic	PTFE/Celastic	PTFE/Celastic
Body seals	FPM	PTFE/Celastic	PTFE/Celastic	FPM



Available with mounting plate in accordance with DIN/ISO 5211.

* In case of lyton or metal seats, ball will be trunnion mounted. (See Type FK/76).