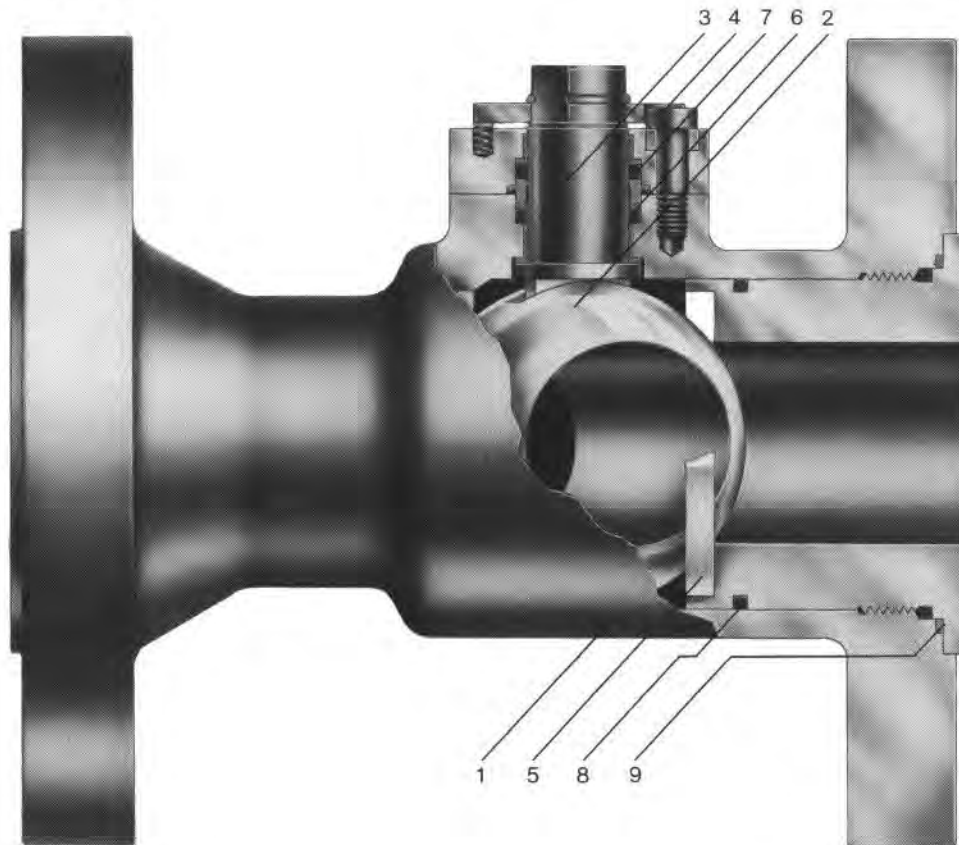


## The speciality of the ARGUS ball valves EK/71

---

DN 15 ANSI Cl. 150 full bore  
DN 20–50 ANSI Cl. 150 red bore  
DN 15–50 ANSI Cl. 300–600 full bore  
DN 15–40 ANSI Cl. 900–1500 full bore



### Description:

The EK/71 ball valve with its many innovative design features represents the highest standards in valve technology and is designed to meet the API-6D, ANSI B16.34 and BS 5351 requirements.

Long lifetime and low operating torques due to the clear separation between the sealing and bearing functions.

### Design:

One piece body design with superfine finished seat supported ball, anti-blow-out stem, compact ball seats and anti-static device. Long life double stem seal system and stem supported in bearings to ensure seals are free from operating loads. Stem sealing construction complies with the TA-Luft fugitive emissions requirements.

Fire safe to BS 6755 and API 607.

### Accessories and optional executions.

Adaptable to all types of actuators with mounting plate to DIN/ISO 5211 (to be ordered separately)

Limit switches; Locking devices;  
Extended wrenches; Stem extensions.  
Steam jackets for indirect process heating.

Round, gull wing and spring return "deadman" handles,  
Drain connections.

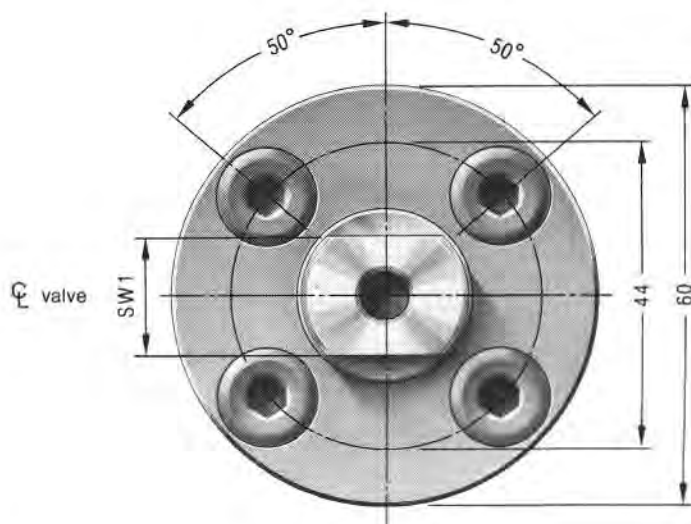
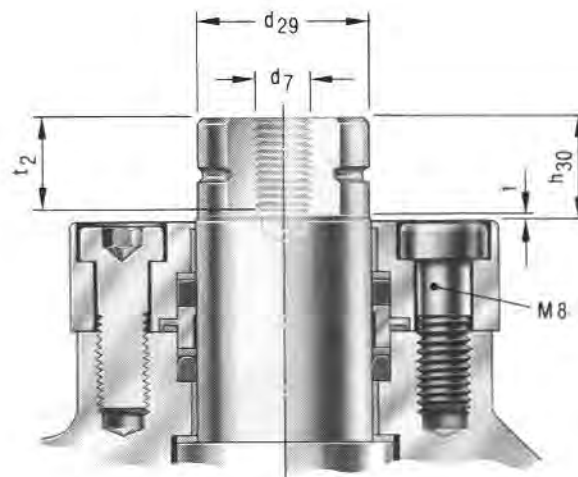
---

### Topwork dimensions

DN full	DN red	d <sub>7</sub>	d <sub>29</sub>	t <sub>2</sub>	h <sub>30</sub>	SW <sub>1</sub>
15	20 x 15 x 20	M 6	16,5	10	11,5	10
20	25 x 20 x 25		18,5		12	12
25						
32	40 x 32 x 40	M 8	24,5	14	14,5	17
40	50 x 40 x 50					
50						

### Materialist of main parts

Item No.	Description	Material specification (for detailed information see page 66)	Nearest typical ASTM-equivalent
1	Body	CS-Low temp. (Std.) SS (only Class 600) Duplex SS	A350-LF 2 A351-CF8M
2	Ball	CR13 SS Duplex SS Monel	AISI 410 A182-F316
3	Stem	CR13 SS Duplex SS Monel 17-4PH	AISI 410 A182-F316
4	Gland bolts	8.8 A4-70	A193-B8M
5	Ball seats	Virgin PTFE; POM; Lyton	
6	Primary stem seal	PTFE; FPM; MFQ	
7	Secondary stem seal	Celastoc	
8	Primary insert seal	PTFE; FPM; MFQ	
9	Second. insert seal	Celastoc	



### Standard material combinations (Preferably to order – short deliverytime)

ANSI	Cl. 150-600	Cl. 150-600	Cl. 600	Cl. 900-1500
	Mat.-Order Code 1850844	Mat.-Order Code 1450455	Mat.-Order Code 4450455	Mat.-Order Code 1470844
Body	CS-Low temp.	CS-Low temp.	SS	CS-Low temp.
Ball/ Stem	CR 13	SS	SS	SS CR 13
Ball seats	PTFE	PTFE	PTFE	POM
Stem seals	FPM/Celastoc	PTFE/Celastoc	PTFE/Celastoc	FPM/Celastoc
Insert seals	FPM/Celastoc	PTFE/Celastoc	PTFE/Celastoc	FPM/Celastoc

Available with mounting plate in accordance with DIN/ISO 5211.