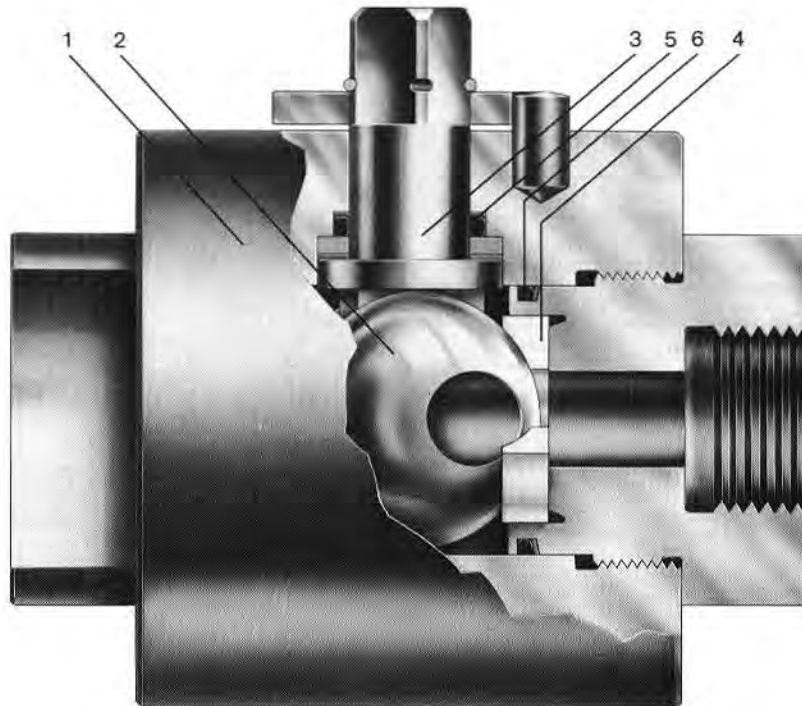


The speciality of the ARGUS ball valves BK/9

BK/9 DN 12–25 up to 10.000 psi WOG (PN 800)



Description:

The BK/9 ball valve with its many innovative design features represents the highest standards in valve technology. It is designed to meet individual requirements and offers process line quality and features for water, oil, gas and other flow lines up to 10.000 psi.

Design:

Rugged one piece body construction offering safe, sure pressure containment with a superfine finished seat supported ball, and compact ball seats. Anti-blow-out stem with high shear-strength shoulder to retain stem. Threaded heavy duty inserts with NPT-female end connections. The valve can also be installed in either flow direction.

Accessories and optional executions.

Limit switches; Locking devices.

◀ Materialist of main parts

Item No.	Description	Material specification (for detailed information see page 66)	Nearest typical ASTM-equivalent
1	Body	CS	A381-Y52
2	Ball	Cr 13	AISI 410
3	Stem	Cr 13	AISI 410
4	Ball seats	POM	
5	Stem seal	NBR; FPM	
6	Body seals	NBR; FPM	

Standard material combinations (Preferably to order – short deliverytime)

Description	Mat.-Order Code 6870811
Body	CS
Ball	Cr 13
Stem	Cr 13
Ball seats	POM
Stem seal	NBR
Body seals	NBR