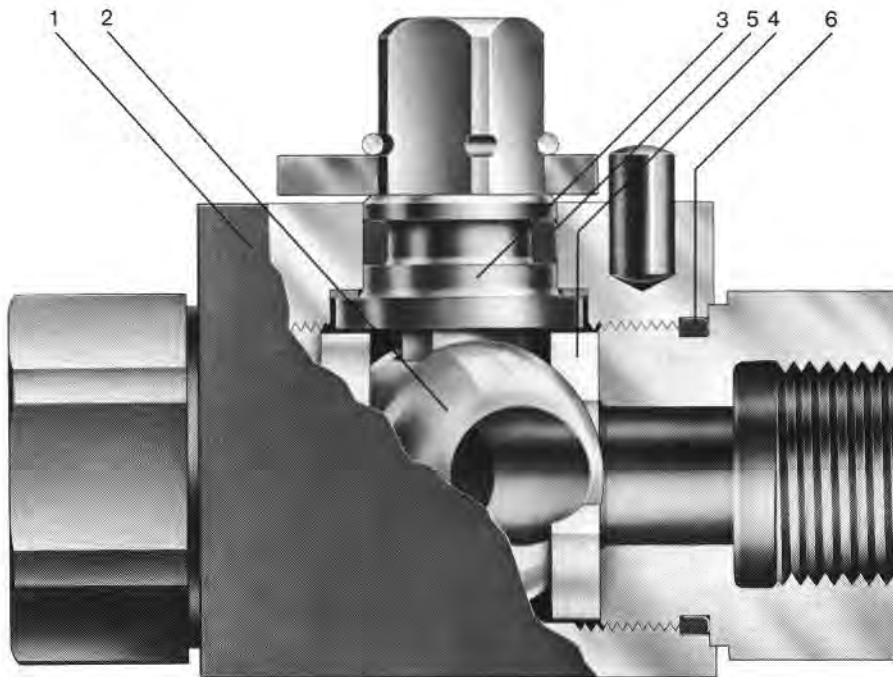


The speciality of the ARGUS ball valves BK/8 and BK/10

BK/ 8 DN 6–10 up to 7000 psi WOG (PN 500) full bore
BK/ 8 DN 12 up to 5500 psi WOG (PN 400) full bore
BK/ 8 DN 20–25 up to 4500 psi WOG (PN 315) full bore
BK/10 DN 6–25 up to 2000 psi WOG (PN 100) full bore



Description:

The BK/8 and BK/10 ball valve with its many innovative design features represents the highest standards in valve technology. It is designed to meet individual requirements and offers process line quality and features for water, oil, gas and other flow lines up to 7000 psi.

Design:

Rugged one piece body construction offering safe, sure pressure containment with a superfine finished seat supported ball, and compact ball seats. Anti-blow-out stem, supported in bearings, with high shear-strength shoulder to retain stem. The threaded heavy duty inserts include socket weld ends with pipe pups. The valve can also be installed in either flow direction.

Accessories and optional executions.

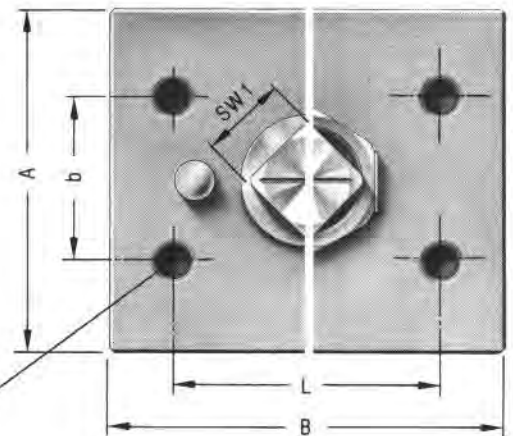
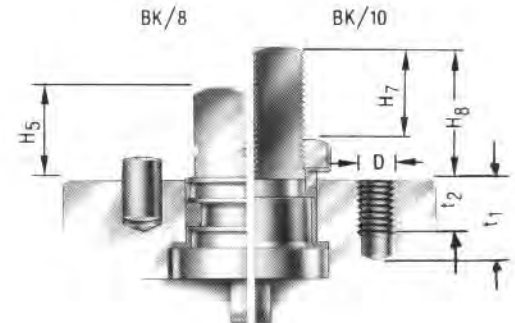
Mounting pad holes for actuator brackets.
Limit switches; Locking devices;
Extended wrenches; Stem extensions.
Round, gull wing and spring return "deadman" handles.

Topwork dimensions (only for CS valves) ▶

DN full	D	t ₁	t ₂	H ₅	H ₇	H ₈	A	B	L	b	SW ₁
8	M5	9	7	15,5	13,5	19	32	43	34	20	9
10	M5	9	7	15,5	13,5	19	32	43	34	20	9
12	M5	9	7	17,5	16,5	24	38	48	34	20	12
16	M5	9	7	17,5	16,5	24	38	48	34	20	12
20	M6	11	9	19	17,5	25	48	60,5	45	28	14
25	M6	11	9	19	17,5	25	57	65,5	45	28	14

◀ Materialist of main parts

Item No.	Description	Material specification (for detailed information see page 66)	Nearest typical ASTM-equivalent
1	Body	CS SS	A381-Y52 A182-F316
2	Ball	Cr 13 SS	A182-F316
3	Stem	CS SS	A182-F316
4	Ball seats	NBR; POM; PTFE	
5	Stem seal	NBR; FPM; PTFE	
6	Body seals	NBR; FPM	



Mounting pad holes for actuator brackets are optional.

Standard material combinations (Preferably to order – short deliverytime)

Description	Mat.-Order Code 6811111 (BK/8)	Mat.-Order Code 6850154 (BK/10)	Mat.-Order Code 4450454 (BK/10)
Body	CS	CS	SS
Ball	Cr 13	Cr 13	SS
Stem	CS	CS	SS
Ball seats	NBR	PTFE	PTFE
Stem seals	NBR	PTFE	PTFE
Insert seals	NBR	FPM	FPM