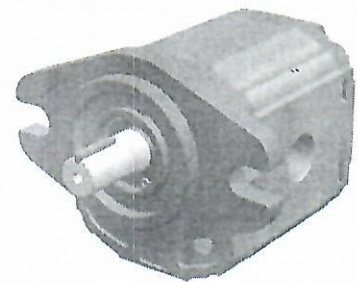


unidirectional motor - series XV

SAE AA TYPE MOTOR
 ø50.8 FLANGE - PARALLEL SHAFT



| | | |
|----------------------------|--|--|
| X 1 U 25 62 B B B A | | |
| Series | X series XV | |
| Group | 1 group 1 | |
| Category | U unidirectional motor | |
| Displacement | 25 3.8 | |
| Flange | 62 Ø50.8 SAE AA right rotation | |
| Shaft | B CI002 - Parallel ø12.7 - key thk. 3.2 (SAE AA) | |
| Body | IN B inlet - 3/8" GAS | |
| | OUT B outlet - 3/8" GAS | |
| Cover | A standard | |

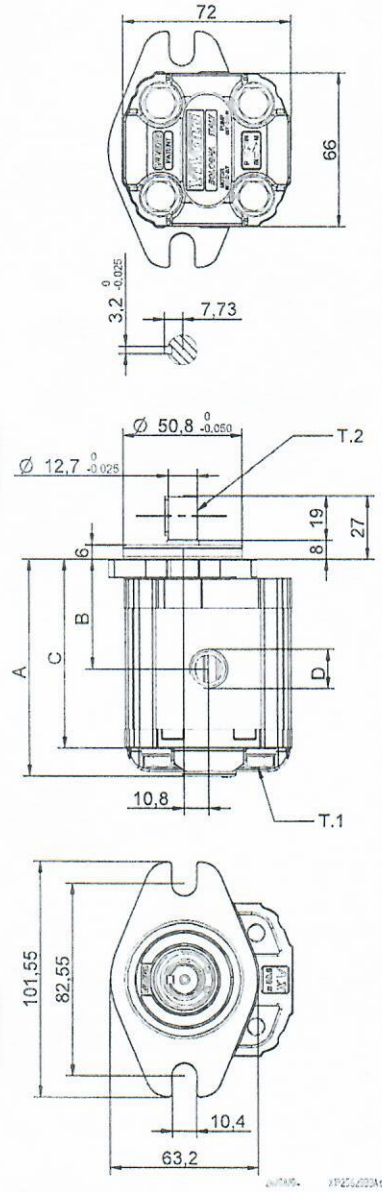


XU168

| TYPE | Displacement cm3/rev | Max. Pressure | | CODE | |
|------------------|-------------------------|---------------|------------|----------------------------|----------------------------|
| | | P1 bar | P3 bar | Left rotation | Right rotation |
| XV-1U/0.9 | 0,91 | 240 | 280 | X 1 U 16 61 B B B A | X 1 U 16 62 B B B A |
| XV-1U/1.2 | 1,17 | 250 | 290 | X 1 U 17 61 B B B A | X 1 U 17 62 B B B A |
| XV-1U/1.7 | 1,56 | 250 | 290 | X 1 U 18 61 B B B A | X 1 U 18 62 B B B A |
| XV-1U/2.2 | 2,08 | 250 | 290 | X 1 U 20 61 B B B A | X 1 U 20 62 B B B A |
| XV-1U/2.6 | 2,60 | 250 | 300 | X 1 U 21 61 B B B A | X 1 U 21 62 B B B A |
| XV-1U/3.2 | 3,12 | 250 | 300 | X 1 U 23 61 B B B A | X 1 U 23 62 B B B A |
| XV-1U/3.8 | 3,64 | 250 | 300 | X 1 U 25 61 B B B A | X 1 U 25 62 B B B A |
| XV-1U/4.3 | 4,16 | 250 | 300 | X 1 U 27 61 B B B A | X 1 U 27 62 B B B A |
| XV-1U/4.9 | 4,94 | 250 | 300 | X 1 U 29 61 B B B A | X 1 U 29 62 B B B A |
| XV-1U/5.9 | 5,85 | 250 | 300 | X 1 U 31 61 B B B A | X 1 U 31 62 B B B A |
| XV-1U/6.5 | 6,50 | 250 | 300 | X 1 U 32 61 B B B A | X 1 U 32 62 B B B A |
| XV-1U/7.8 | 7,54 | 220 | 260 | X 1 U 34 61 B B B A | X 1 U 34 62 B B B A |
| XV-1U/9.8 | 9,88 | 190 | 230 | X 1 U 36 61 B B B A | X 1 U 36 62 B B B A |

P1) Max. working pressure - P3) Max. peak pressure
 For heavy-duty applications, it is recommended to check the admissible torque of the shaft

| TYPE | Weight kg | A | B | C | D | |
|------------------|--------------|-------------|-------------|-------------|------------------|------------------|
| | | mm | mm | mm | IN | OUT |
| XV-1U/0.9 | 1,000 | 82,6 | 41,8 | 70,6 | 3/8" BSPP | 3/8" BSPP |
| XV-1U/1.2 | 1,020 | 83,5 | 42,3 | 71,5 | 3/8" BSPP | 3/8" BSPP |
| XV-1U/1.7 | 1,060 | 85,0 | 43,0 | 73,0 | 3/8" BSPP | 3/8" BSPP |
| XV-1U/2.2 | 1,080 | 87,0 | 44,0 | 75,0 | 3/8" BSPP | 3/8" BSPP |
| XV-1U/2.6 | 1,110 | 89,0 | 45,0 | 77,0 | 3/8" BSPP | 3/8" BSPP |
| XV-1U/3.2 | 1,140 | 91,0 | 46,0 | 79,0 | 3/8" BSPP | 3/8" BSPP |
| XV-1U/3.8 | 1,170 | 93,0 | 47,0 | 81,0 | 3/8" BSPP | 3/8" BSPP |
| XV-1U/4.3 | 1,220 | 95,0 | 48,0 | 83,0 | 3/8" BSPP | 3/8" BSPP |
| XV-1U/4.9 | 1,250 | 98,0 | 49,5 | 86,0 | 3/8" BSPP | 3/8" BSPP |
| XV-1U/5.9 | 1,310 | 101,5 | 51,3 | 89,5 | 3/8" BSPP | 3/8" BSPP |
| XV-1U/6.5 | 1,350 | 105,0 | 52,5 | 93,0 | 3/8" BSPP | 3/8" BSPP |
| XV-1U/7.8 | 1,410 | 108,0 | 54,5 | 96,0 | 3/8" BSPP | 3/8" BSPP |
| XV-1U/9.8 | 1,550 | 117,0 | 59,0 | 105,0 | 3/8" BSPP | 3/8" BSPP |



T.1 = 24.5÷29.4 [Nm] - screw tightening torque M8
 T.2 = 32.8 [Nm] - admissible shaft torque (N.B. When choosing a shaft, always check the admissible torque).

OR THE XU168